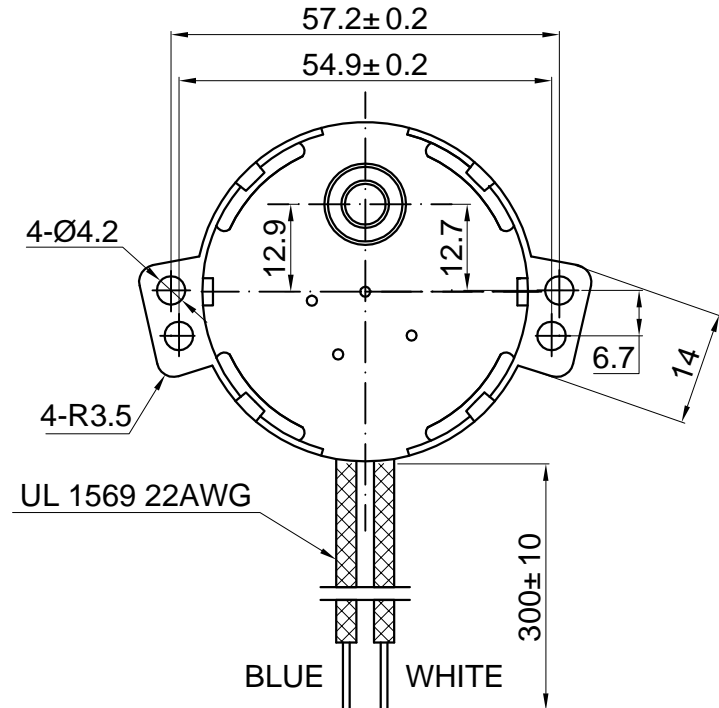
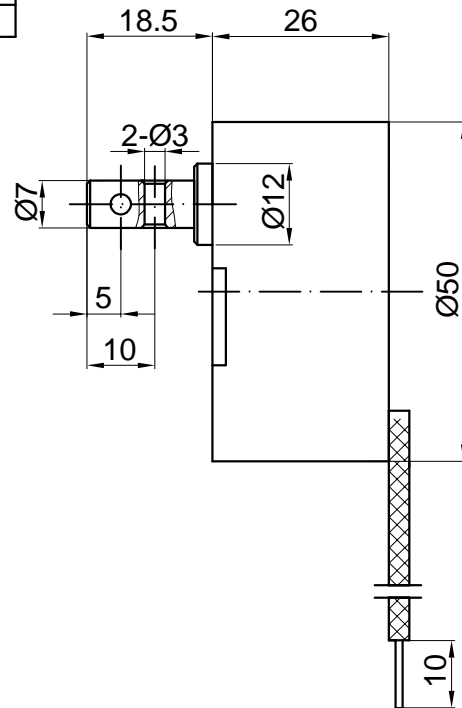


NO.	ITEM	SPECIFICATION
1	Rated Voltage	220 VAC
2	Rated frequency	50 Hz
3	Rated Speed	5 RPM
4	Input power	≤ 4 W
5	Input current	≤ 25 mA
6	Rated Torque	8 Kg.cm
7	Temperture Rise	≤ 60 K
8	Noise Level	≤ 45
9	Rotation Direction	CW

Rev.	Revision	Date
01	Update	7/26/2011



DRAWN	Amily	7/26/2011
CHECKED	Sara	7/26/2011
ENG APPR.		
MFG APPR.		
Q.A.		

UNIT: mm

Kysan Electronics

50TYZ-220V5RPM

SIZE  
A4

Kysan SKU  
1311002

REV  
01

SCALE: 2:1

Weight(kg): 0.7

SHEET 1 OF 1