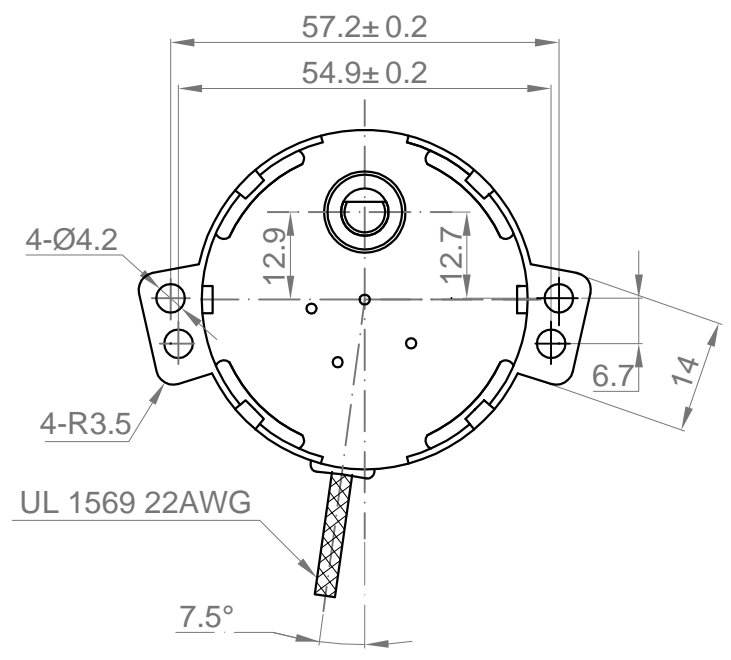
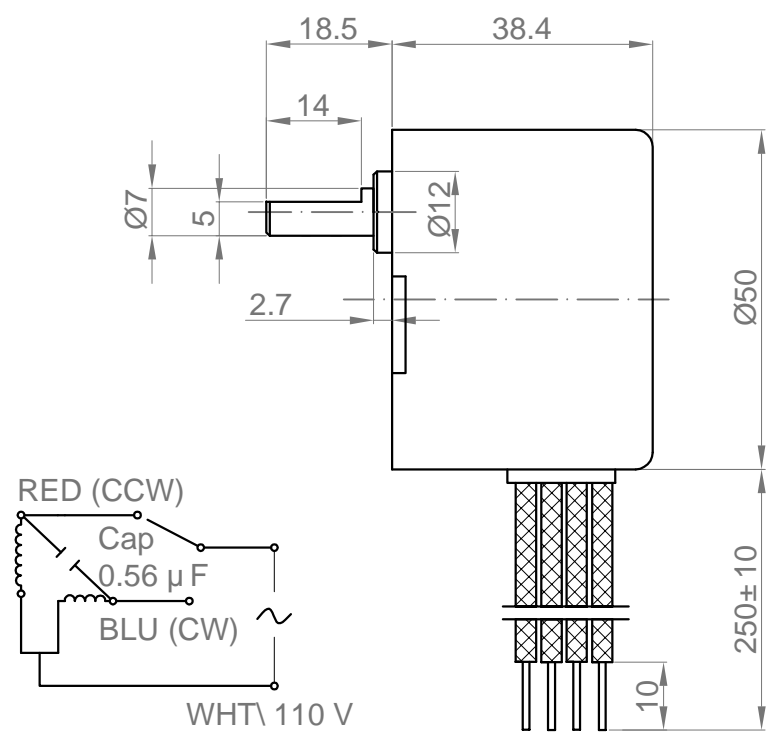


Rev.	Description	Date
01	Release for production	05/29/2012



NO.	Item	Specification	NO.	Item	Specification
1	Rated Voltage	110 V	7	Rotation Direction	CW/CCW
2	Rated Frequency	60 Hz	8	Temperature Rise	60K Max
3	Rated Speed	6 RPM	9	Noise Level	≤45 dB
4	Input Power	7 W Max			
5	Input Current	70 mA Max			
6	Rated Torque	10 Kgf.cm			

Drawn	Emily	05/29/2012	<b>Kysan Electronics</b> www.kysanelectronics.com Email : info@kysanelectronics.com		
Checked	Sara	05/29/2012			
Eng Appr.					
Mfg Appr.					
Q.A.					
SKU	<b>1311032</b>		Size : A4	Weight(Kg):	Unit: mm
			Scale: 2:1		Sheet 1of 1