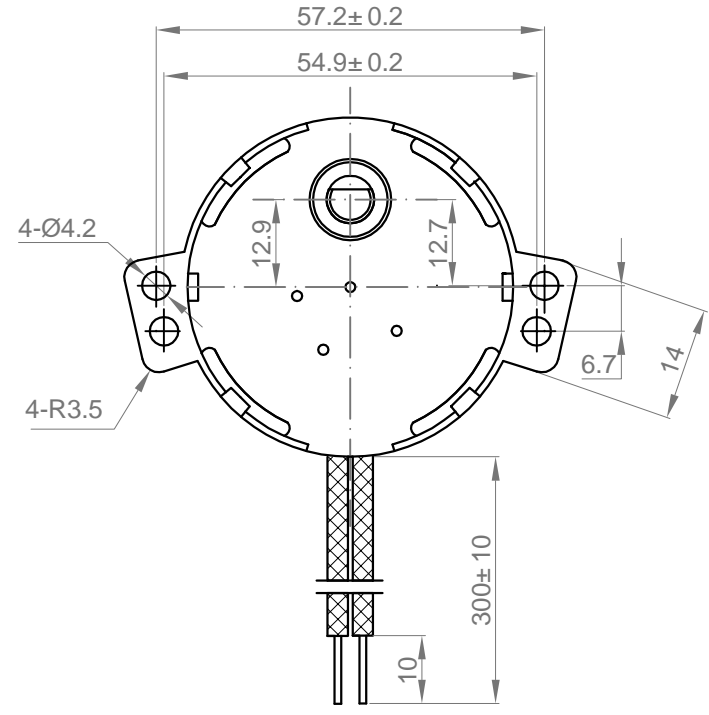
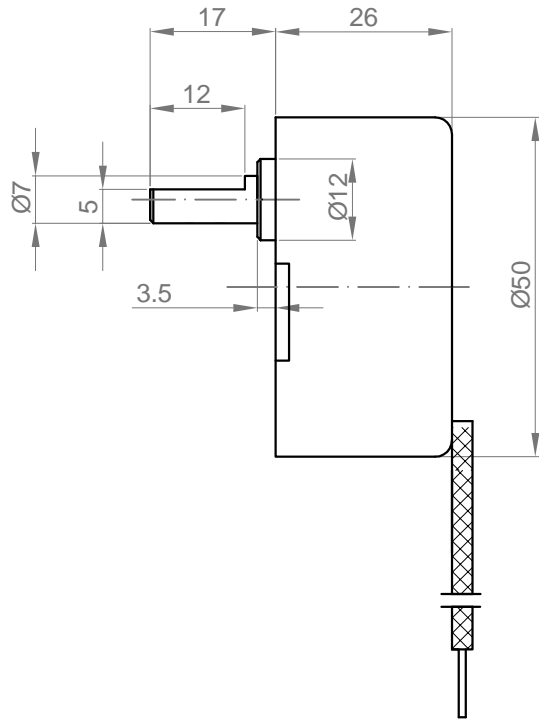


| | | |
|------|----------|------------|
| Rev. | Revision | Date |
| 01 | Update | 12/14/2011 |



| | | | | | | | | |
|-----|-----------------|---------------|-----|--------------------|---------------|-----------|-------|------------|
| NO. | ITEM | SPECIFICATION | NO. | ITEM | SPECIFICATION | DRAWN | Emily | 12/14/2011 |
| 1 | Rated Voltage | 24 VAC | 7 | Temperature Rise | 60K Max | CHECKED | Sara | 12/14/2011 |
| 2 | Rated Speed | 1.5 RPM | 8 | Rotation Direction | CW | ENG APPR. | | |
| 3 | Input Power | 4 W | 9 | Run Model | Continuous | MFG APPR. | | |
| 4 | Input Current | | 10 | | | Q.A. | | |
| 5 | Rated Torque | | 11 | | | SKU | | |
| 6 | Rated Frequency | 50 Hz | 12 | | | | | |

| | | |
|-------------------|------------------------------------|--------------|
| UNIT: mm | | |
| Kysan Electronics | | |
| SIZE A4 | Email to info@kysanelectronics.com | REV 01 |
| SCALE: 2:1 | Weight(kg): 0.5 | SHEET 1 OF 1 |

1311039