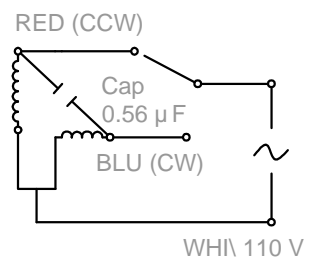
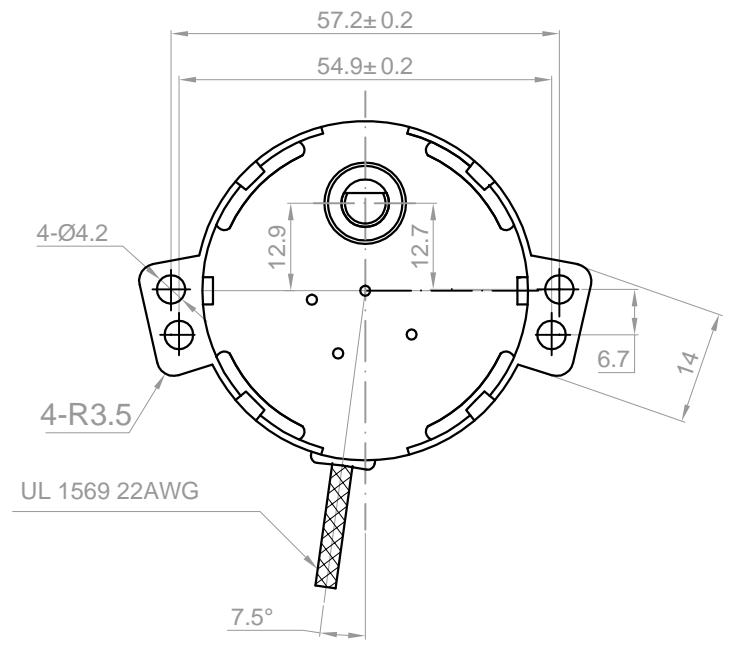
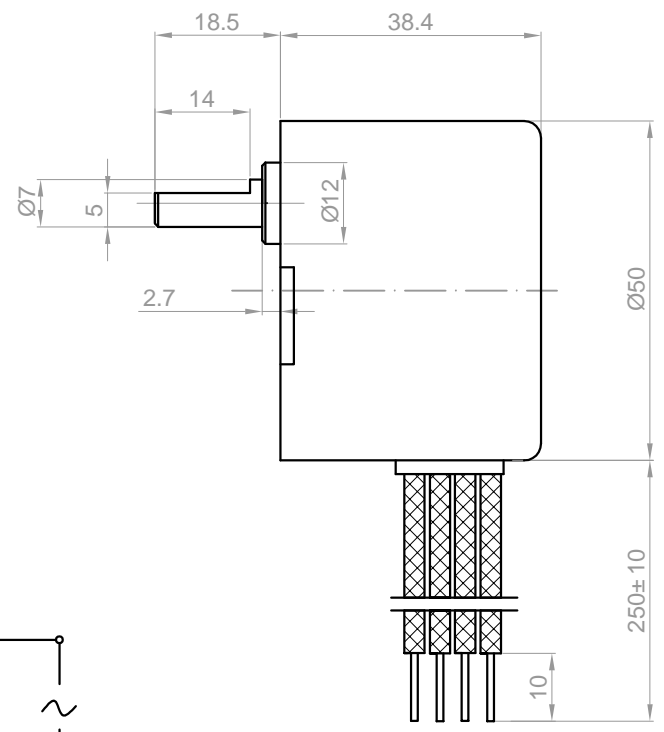


NO.	ITEM	SPECIFICATION
1	Rated Voltage	110 V
2	Rated Frequency	50 Hz
3	Rated Speed	1 RPM
4	Input Power	7 W Max
5	Input Current	70 mA Max
6	Rated Torque	30 Kg.cm
7	Rotation Direction	Dual direction Contral
8	Temperature Rise	60K Max

Rev.	Revision	Date
01	Update	11/30/2011



DRAWN	Emily	11/30/2011
CHECKED	Sara	11/30/2011
ENG APPR.		
MFG APPR.		
Q.A.		

UNIT: mm		
Kysan Electronics		
SKU	SIZE A4	Email Info@kysanelectronics.com
1311047	SCALE: 2:1	REV 01
	Weight(kg):	SHEET 1 OF 1