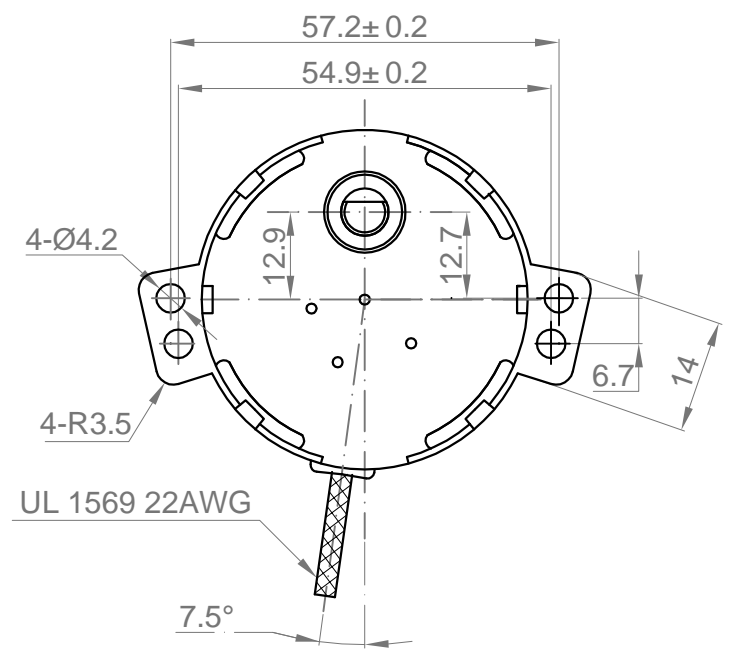
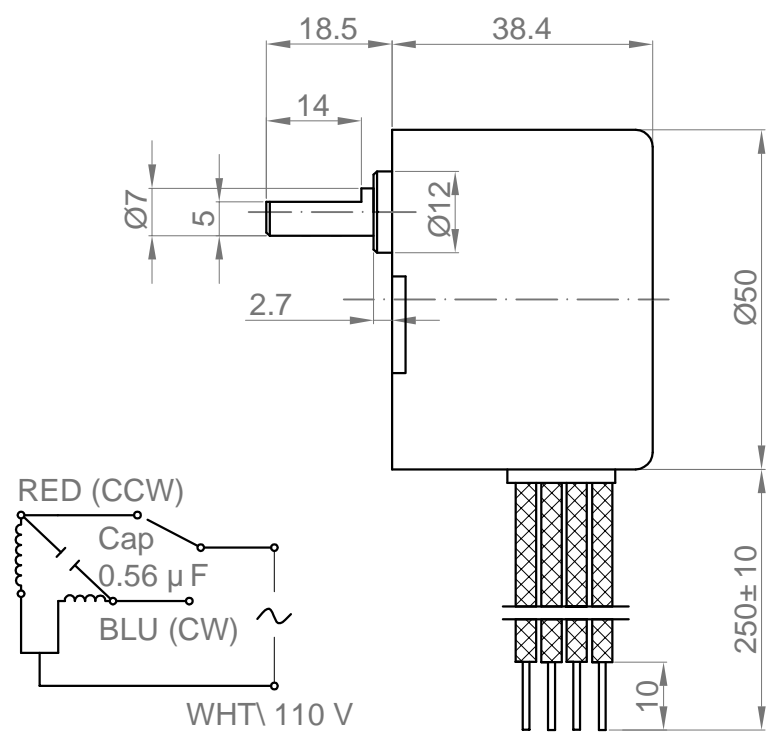


Rev.	Description	Date
01	Release for production	03/20/2012



NO.	Item	Specification	NO.	Item	Specification
1	Rated Voltage	110 V	7	Rotation Direction	CW/CCW
2	Rated Frequency	60 Hz	8	Temperature Rise	60K Max
3	Rated Speed	60 RPM	9	Noise Level	≤45 dB
4	Input Power	7 W Max			
5	Input Current	70 mA Max			
6	Rated Torque	1.2 Kgf.cm			

Drawn	Emily	03/20/2012
Checked	Sara	03/20/2012
Eng Appr.		
Mfg Appr.		
Q.A.		
SKU	1311049	

Kysan Electronics
www.kysanelectronics.com

Email : info@kysanelectronics.com

Size : A4	Weight(Kg):	Unit: mm
Scale: 2:1		Sheet 1of 1