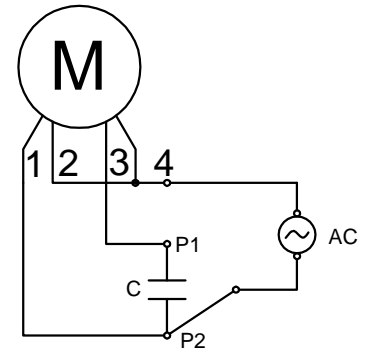
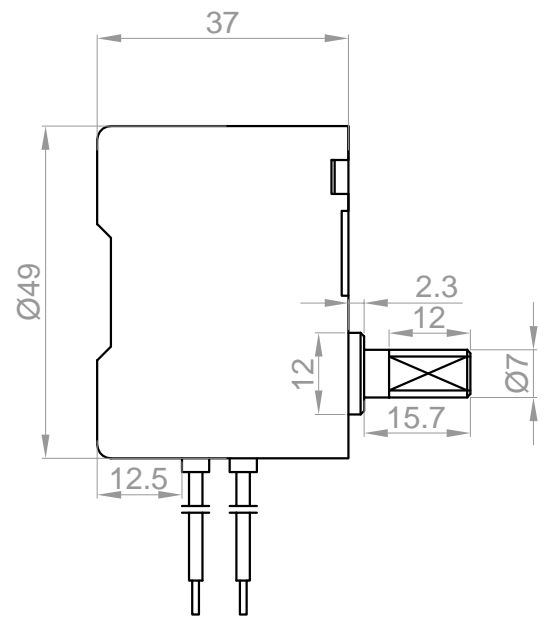
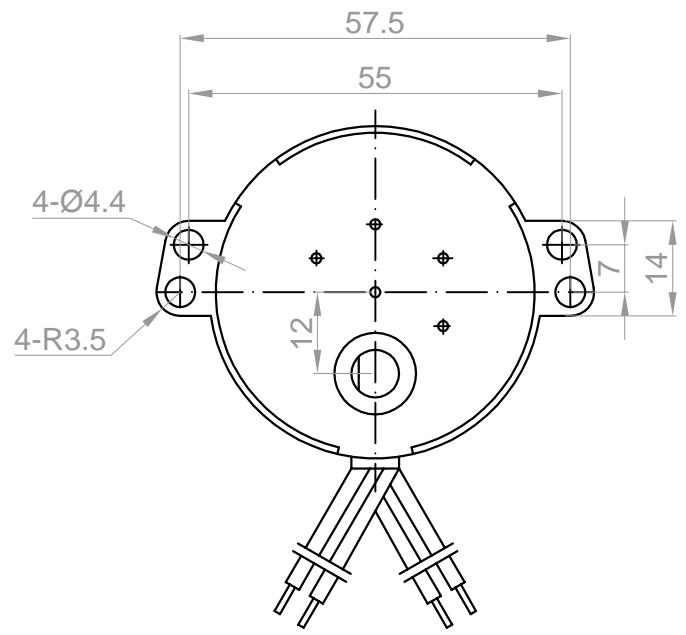


Rev.	Description	Date
01	Release for production	09/13/2012



Voltage Lead	220V
1	BLK
2	YEL
3	RED
4	YEL

NO.	Item	Specification	NO.	Item	Specification
1	Rated Voltage	220 VAC	7	Direction of Rotation	CW/CCW
2	Rated Frequency	50 Hz	8	Insulation Resistance	DC500V 100 MΩ
3	Rated Speed	1.04 RPM	9	Noise Level	45 dB Max
4	Input Power	4.5 W	10	Dielectric Strength	E(105°C) / B(130°C)
5	Input Current	0.023A Max	11	Working Environment	Temp: -15°C~40°C
6	Rated Torque	40 Kgf.cm			

Drawn	Harry	09/13/2012
Checked	Sara	09/13/2012
Eng Appr.		
Mfg Appr.		
Q.A.		
SKU	1311051	

Kysan Electronics		
www.kysanelectronics.com		
info@kysanelectronics.com		
Size : A4	Weight(Kg):	Unit: mm
Scale: 2:1		Sheet 1of 1