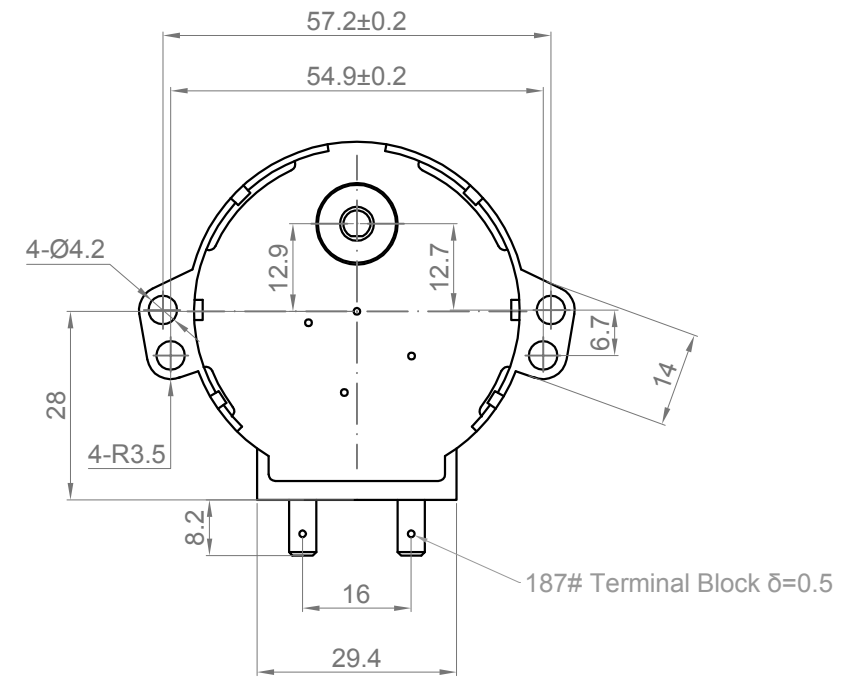
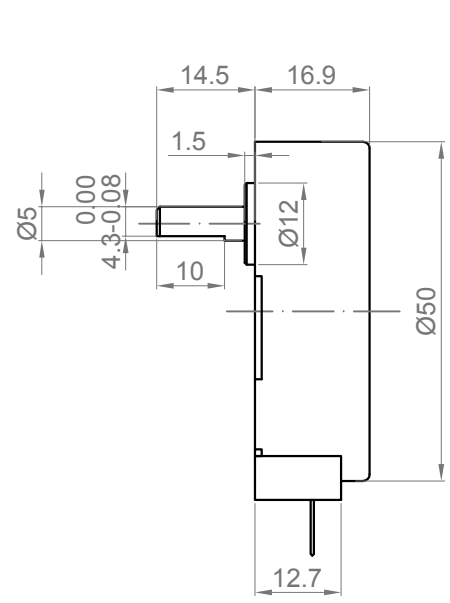


Rev.	Description	Date
01	Release for Production	09/27/2012



NO.	Item	Specification	NO.	Item	Specification
1	Voltage	220-240 VAC	7	Noise Level	≤45 dB
2	Frequency	50/60 Hz	8	Rotation Direction	CW
3	Input Power	≤3/2.5 W	9	Rated Speed	1.67/2 RPM
4	Input Current	≤20/16 mA	10	Rated Torque	7/6 Kgf.cm
5	Starting Voltage	(220-240)±15% VAC			
6	Temperature Rise	≤60 K			

Drawn	Harry	09/27/2012
Checked	Sara	09/27/2012
Eng Appr.		
Mfg Appr.		
Q.A.		
SKU	1311079	

Kysan Electronics		
www.kysanelectronics.com		
Email : info@kysanelectronics.com		
Size : A4	Weight(Kg):	Unit: mm
Scale: 2:1		Sheet 1of 1