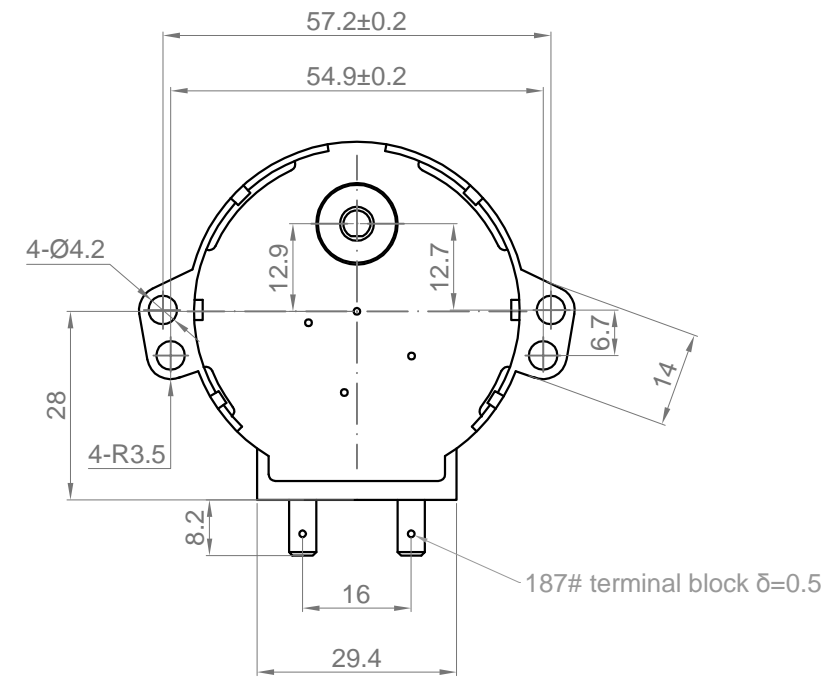
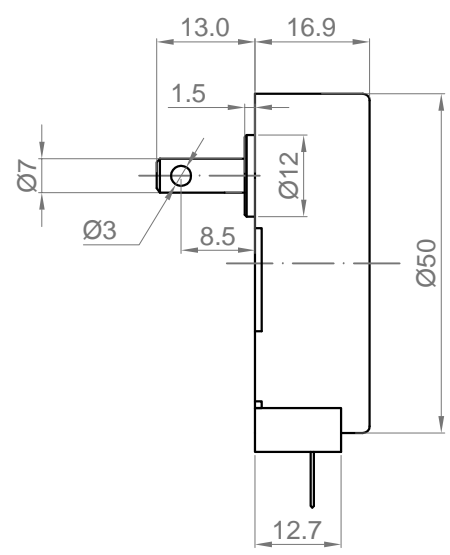


Rev.	Description	Date
01	Release for Production	03/13/2013



NO.	Item	Specification	NO.	Item	Specification
1	Voltage	110 VAC	7	Noise Level	≤45 dB
2	Frequency	60 Hz	8	Rotation Direction	CCW
3	Input Power	≤2.5 W	9	Rated Speed	6 RPM
4	Input Current	≤35 mA	10	Rated Torque	2 Kgf.cm
5	Starting Voltage	(100-120)±15% V			
6	Temperature Rise	≤60 K			

Drawn	Harry	03/11/2013
Checked	Sara	03/11/2013
Eng Appr.		
Mfg Appr.		
Q.A.		
SKU	1311081	

Kysan Electronics www.kysanelectronics.com Email : info@kysanelectronics.com		
Scale: 2:1		Sheet 1of 1