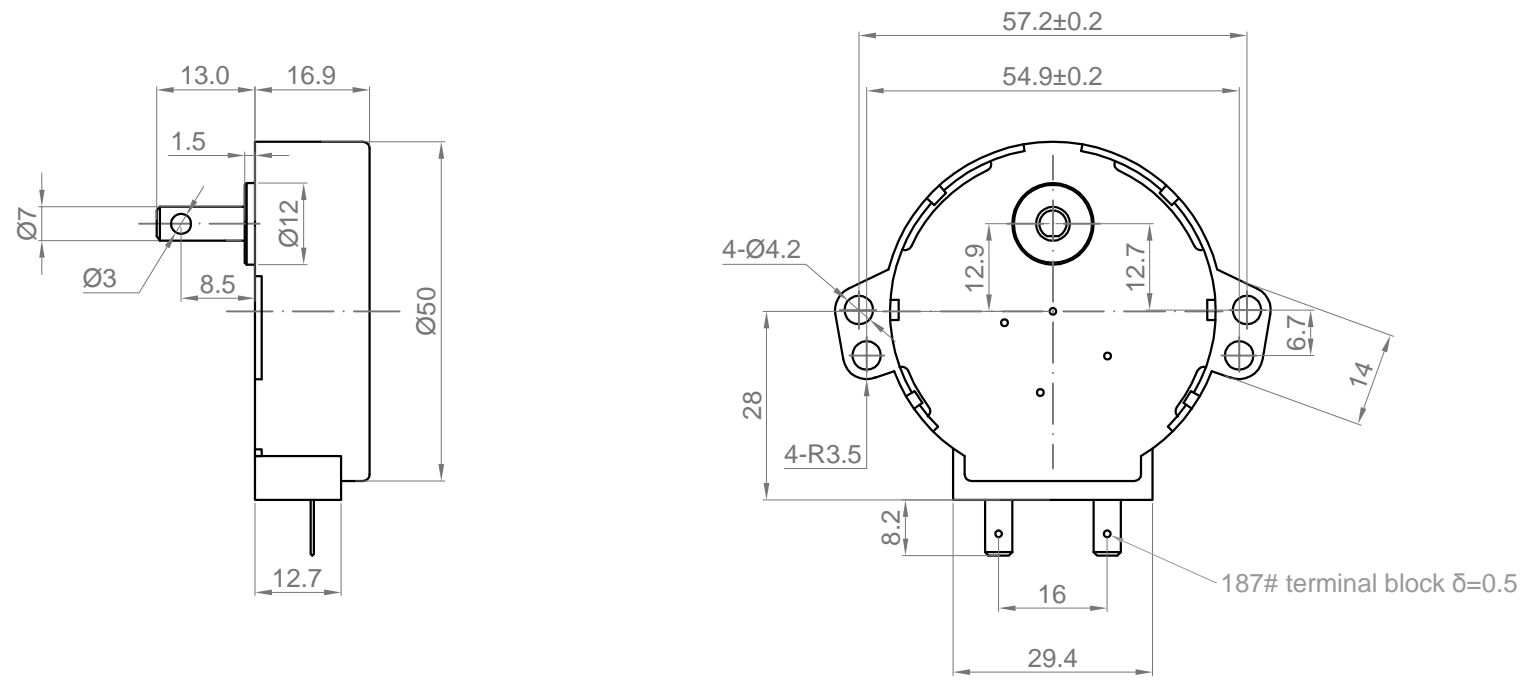


Rev.	Description	Date
01	Release for Production	03/13/2013



NO.	Item	Specification	NO.	Item	Specification
1	Voltage	220 VAC	7	Noise Level	≤45 dB
2	Frequency	50 Hz	8	Rotation Direction	CCW
3	Input Power	≤3 W	9	Rated Speed	5 RPM
4	Input Current	≤20 mA	10	Rated Torque	2.5 Kgf.cm
5	Starting Voltage	(220-240)±15% V			
6	Temperature Rise	≤60 K			

Drawn	Harry	03/11/2013	Kysan Electronics www.kysanelectronics.com Email : info@kysanelectronics.com		
Checked	Sara	03/11/2013			
Eng Appr.					
Mfg Appr.					
Q.A.					
SKU	1311083		Size : A4	Weight(Kg):	Unit: mm
			Scale: 2:1		Sheet 1of 1