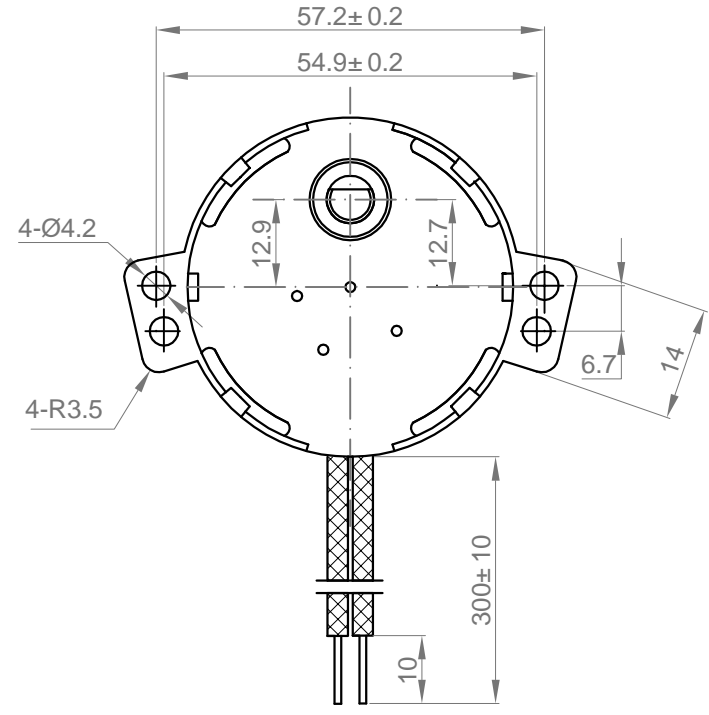
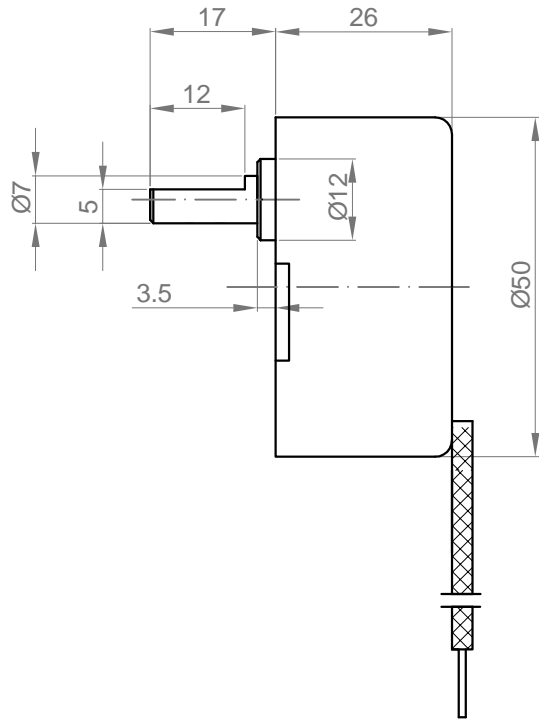


Rev.	Description	Date
01	Release	2/23/2012



No.	Item	Specification	No.	Item	Specification
1	Rated voltage	230 VAC	7	Temperature rise	60K Max
2	Rated speed	2.5 RPM	8	Rotation direction	CW
3	Input power	4 W MAX			
4	Input current	25mA MAX			
5	Rated torque	12Kgf.cm			
6	Rated frequency	50 Hz			

Drawn	Emily	2/23/2012
Checked	Sara	2/23/2012
Eng Appr.		
Mfg Appr.		
Q.A.		
SKU		
1311087		

Unit: mm		
Kysan Electronics		
www.kysanelectronics.com		
info@kysanelectronics.com		
Scale: 2:1	Weight(Kg): 0.5	SIZE A4