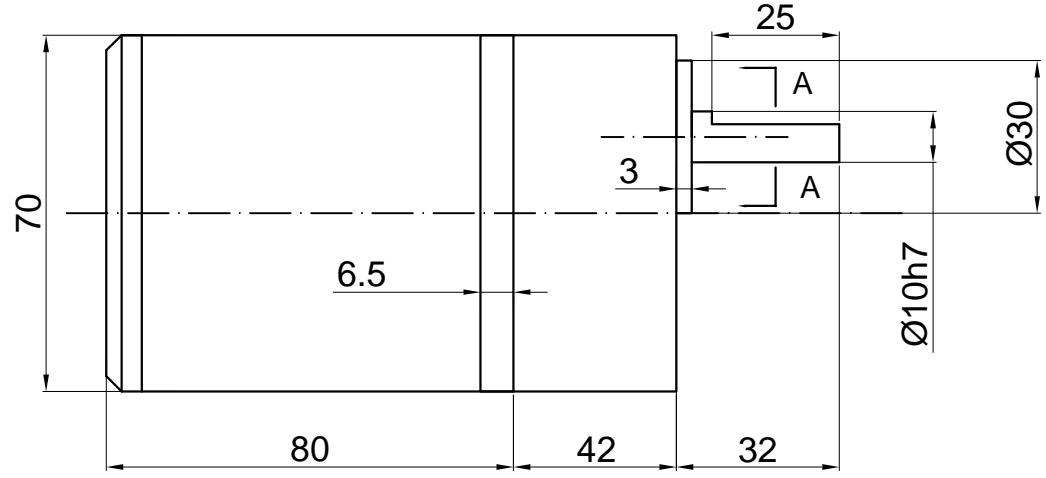
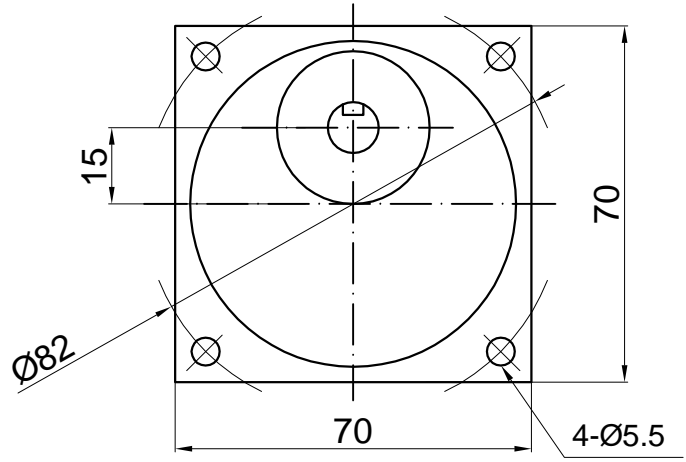
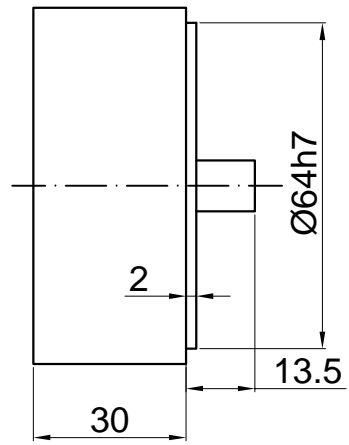
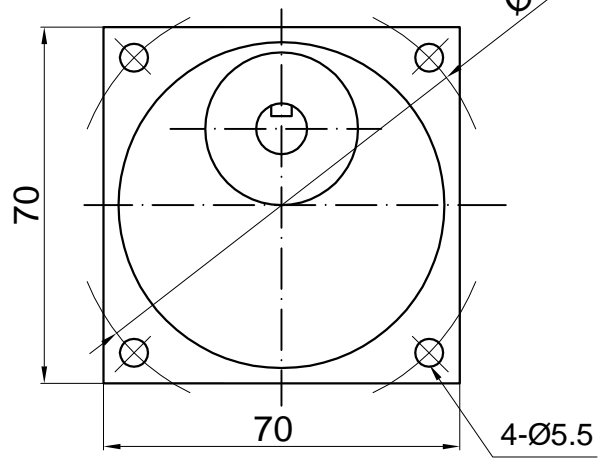


Rev.	Description	Date
00	Release for production	08/19/2014

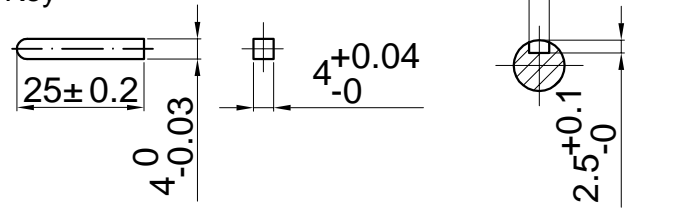
70YY/JB 70YN/JB



70JA10



Key



Note:
When the gear ratio is larger than 150, we need to add 70JA10 gear box more.

NO.	Item	Specification	NO.	Item	Specification
1	Voltage	220 VAC	7	Capacitor	1.5/500 uF/V AC
2	Frequency	50HZ	8	Stall Torque	2345 G-CM
3	No Load Speed	100 ±10% RPM	9		
4	Rated Current	0.21 A Max	10		
5	Rated Speed	80 ± 10% RPM			
6	Ratio	15:1			

Unit: mm		
Drawn		
Checked	Lawrence	03/25/2016
Eng Appr.		
Mfg Appr.		
Q.A.		
SKU	1311094	
Size :A4	Weight(Kg):47g	
Scale 1:1		