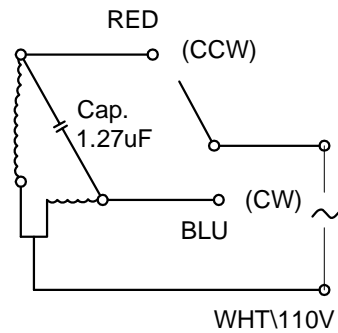
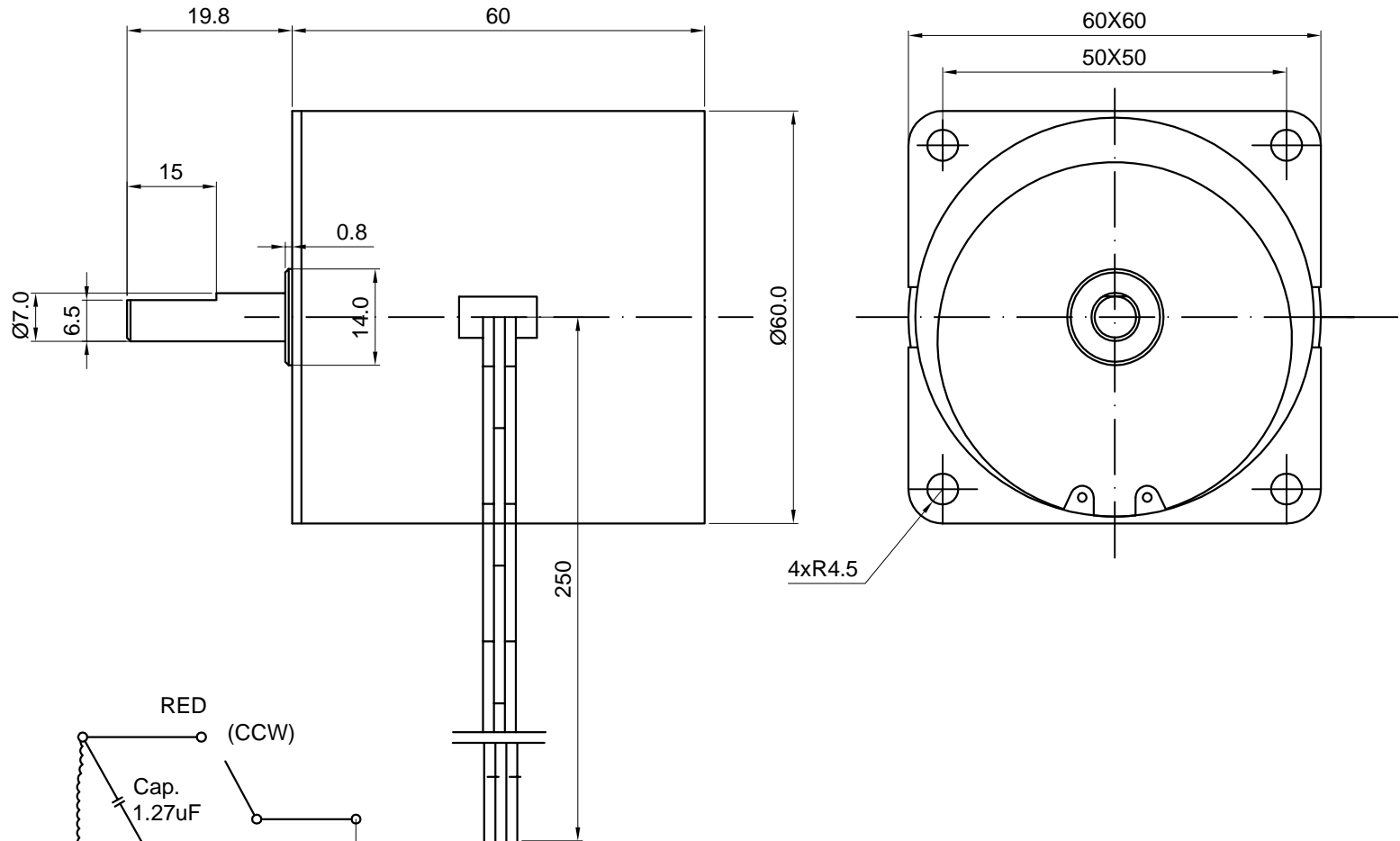


NO.	ITEM	SPECIFICATION
1	Rated Voltage	110V
2	Rated frequency	50Hz
3	Output Speed	60RPM
4	Input power	18W
5	Input current	≤ 110mA
6	Output Torque	5 Kg.cm
7	Insulation Class	Class E
8	Noise Level	≤45dB
9	Rotation Direction	CW / CCW
10	Running Mode	Discontinued

Rev.	Revision	Date
01	Update	5/20/2011



DRAWN	Andrew	5/20/2011
CHECKED	Sara	5/20/2011
ENG APPR.		
MFG APPR.		
Q.A.		

60KTYZ-1-110V60RPM-50HZ	UNIT: mm	
	Kysan Electronics	
SIZE A4	Kysan SKU 1311105	REV 01
SCALE: 1.5 : 1	Weight(kg): 0.5	SHEET 1 OF 1