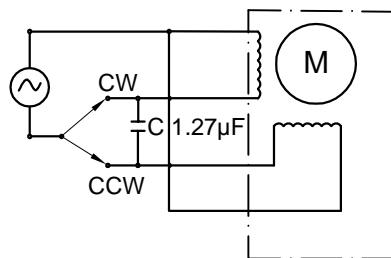
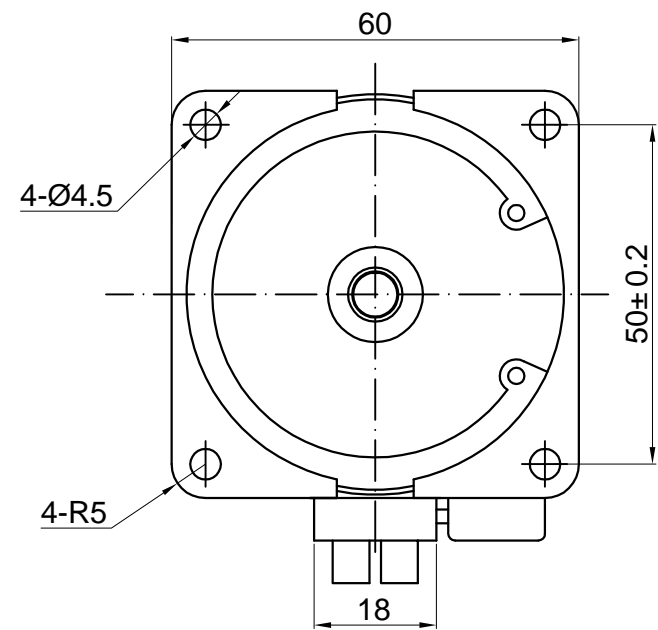
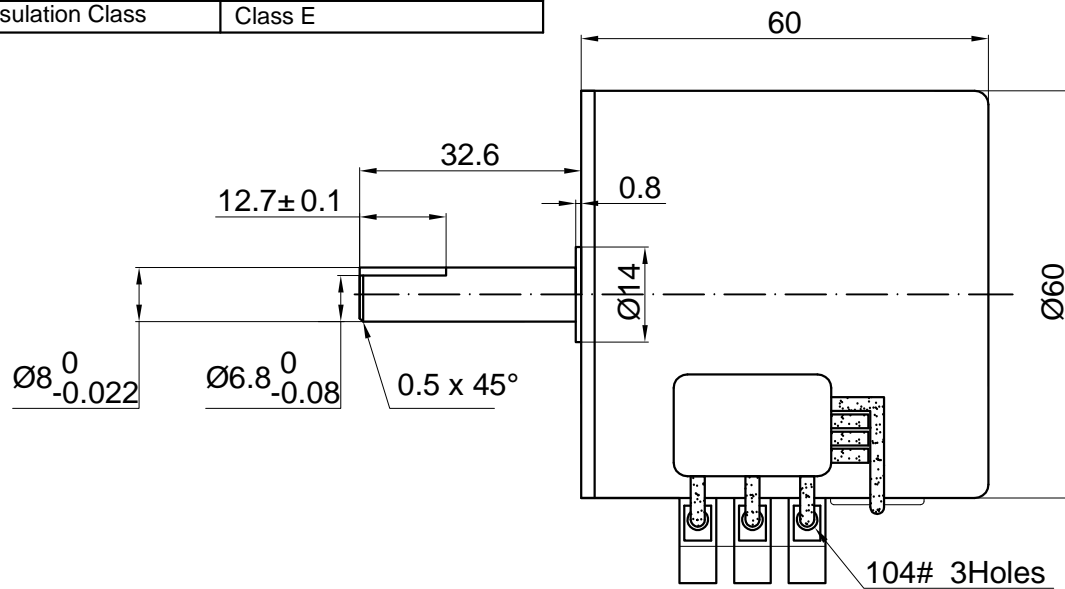


NO.	ITEM	SPECIFICATION
1	Rated Voltage	120 VAC
2	Frequency	60 Hz
3	Rated Speed	18 RPM
4	Number of Poles	16
5	Input Current	≤110 mA
6	Input Power	≤18 W
7	Temperature Rise	≤ 60 K
8	Operating Temperature	-10° ~+60°
9	Noise	≤45 dB
10	Direction of Rotation	Bidirectional and Controllable
11	Insulation Class	Class E

Rev.	Revision	Date
01	Update	7/27/2011



DRAWN	Amily	7/27/2011
CHECKED	Sara	7/27/2011
ENG APPR.		
MFG APPR.		
Q.A.		

60KTYZ-120V18RPM-C

UNIT: mm		
Kysan Electronics		
SIZE A4	Kysan SKU 1311110	REV 01
SCALE: 2:1	Weight(kg): 0.55	SHEET 1 OF 1