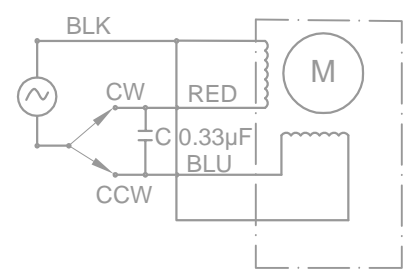
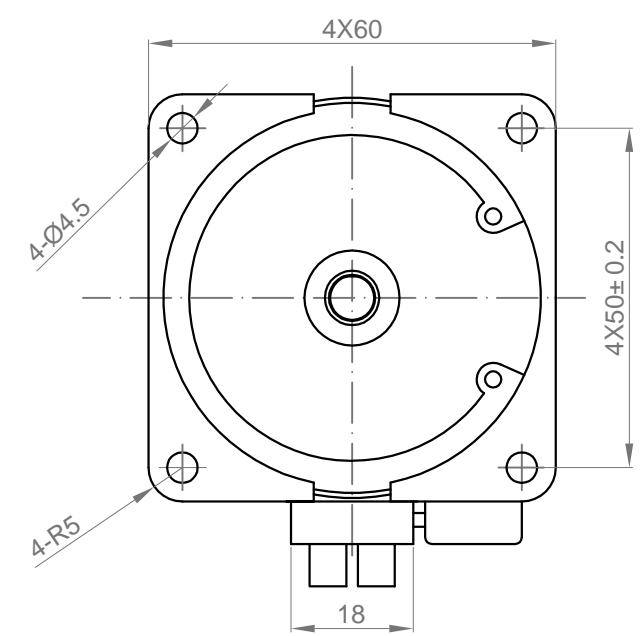
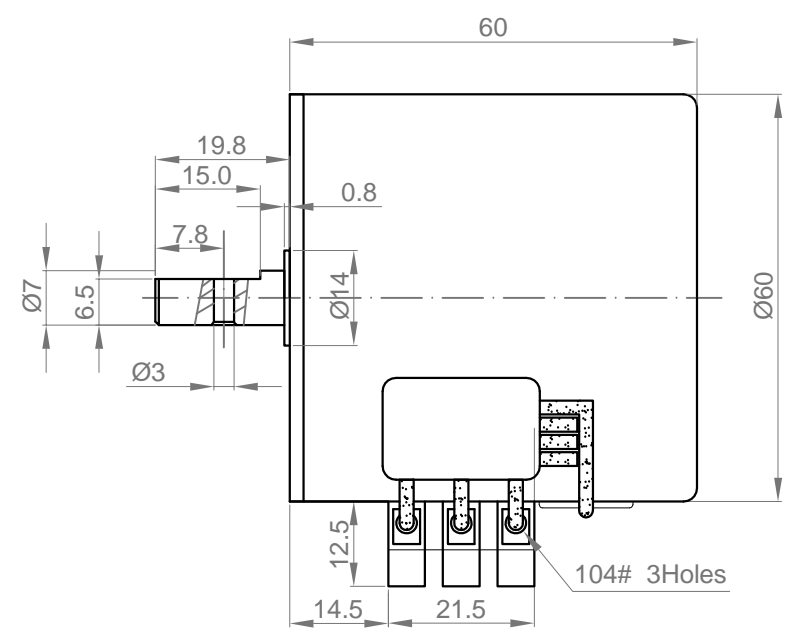


Rev.	Description	Date
01	Release for production	02/24/2012



NO.	Item	Specification	NO.	Item	Specification
1	Rated Voltage	220 VAC	7	Noise	≤45 dB
2	Frequency	50 Hz	8	Direction of Rotation	CW /CCW
3	Rated Speed	10 RPM	9	Rated Torque	15 Kgf.cm
4	Input Current	≤55 mA			
5	Input Power	≤14 W			
6	Temperature Rise	≤ 60 K			

Drawn	Emily	02/24/2012	Unit: mm		
Checked	Sara	02/24/2012	Kysan Electronics www.kysanelectronics.com Email : info@kysanelectronics.com		
Eng Appr.					
Mfg Appr.					
Q.A.					
SKU	1311112		Size : A4	Weight(Kg): 0.7	
			Scale: 2:1		