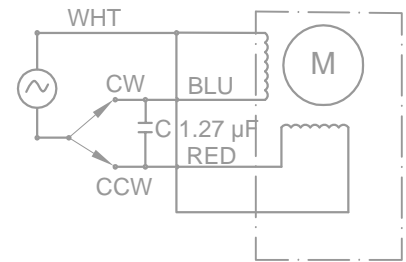
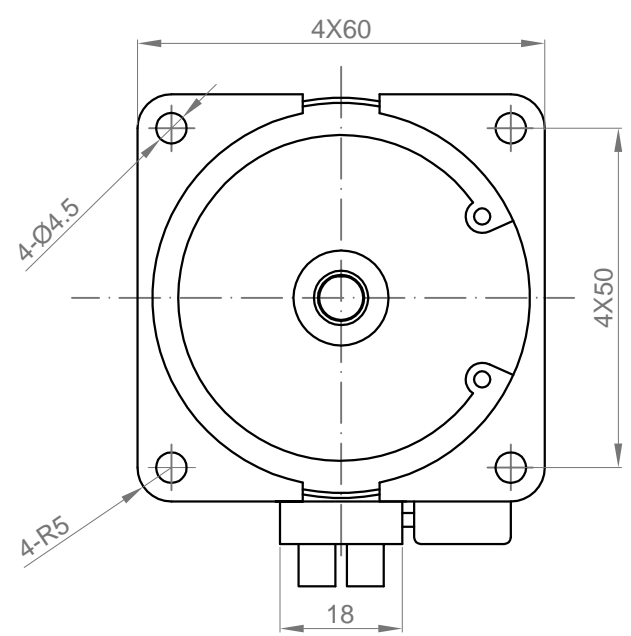
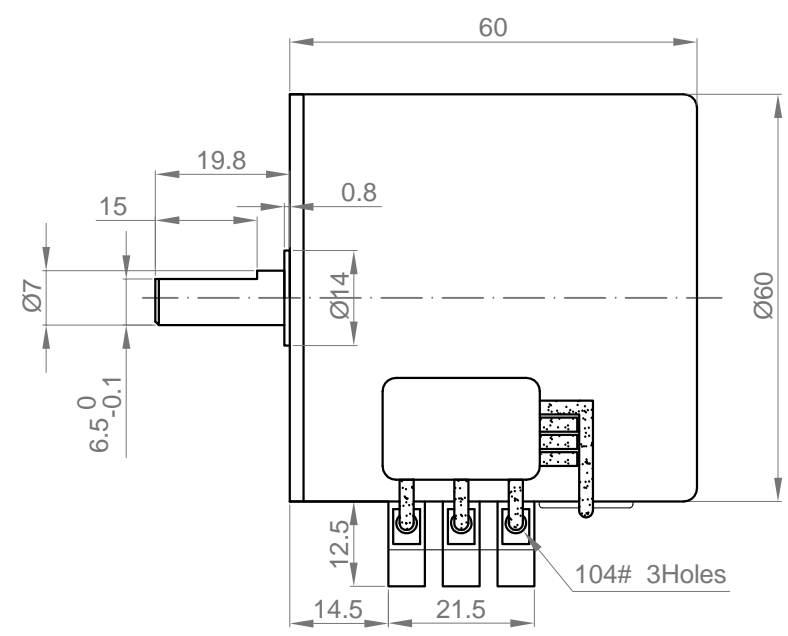


| Rev. | Description            | Date       |
|------|------------------------|------------|
| 01   | Release for Production | 06/06/2012 |



| NO. | Item             | Specification | NO. | Item                  | Specification |
|-----|------------------|---------------|-----|-----------------------|---------------|
| 1   | Rated Voltage    | 110 VAC       | 7   | Noise                 | ≤ 45 dB       |
| 2   | Frequency        | 50 HZ         | 8   | Direction of Rotation | CW /CCW       |
| 3   | Rated Speed      | 10 RPM        | 9   | Rated Torque          | 15 Kgf.cm     |
| 4   | Input Current    | ≤ 0.11 A      |     |                       |               |
| 5   | Input Power      | 14 W Max      |     |                       |               |
| 6   | Temperature Rise | ≤ 60 K        |     |                       |               |

|           |         |            |   |                 |  |
|-----------|---------|------------|---|-----------------|--|
| Drawn     | Feny    | 06/06/2012 | Unit: mm  |                 |  |
| Checked   | Sara    | 06/06/2012 | <b>Kysan Electronics</b><br>www.kysanelectronics.com<br>Email : info@kysanelectronics.com |                 |  |
| Eng Appr. |         |            |   |                 |  |
| Mfg Appr. |         |            |   |                 |  |
| Q.A.      |         |            |   |                 |  |
| SKU       | 1311122 |            | Size : A4   | Weight(Kg): 0.7 |  |
|           |         |            | Scale: 2:1  |                 |  |