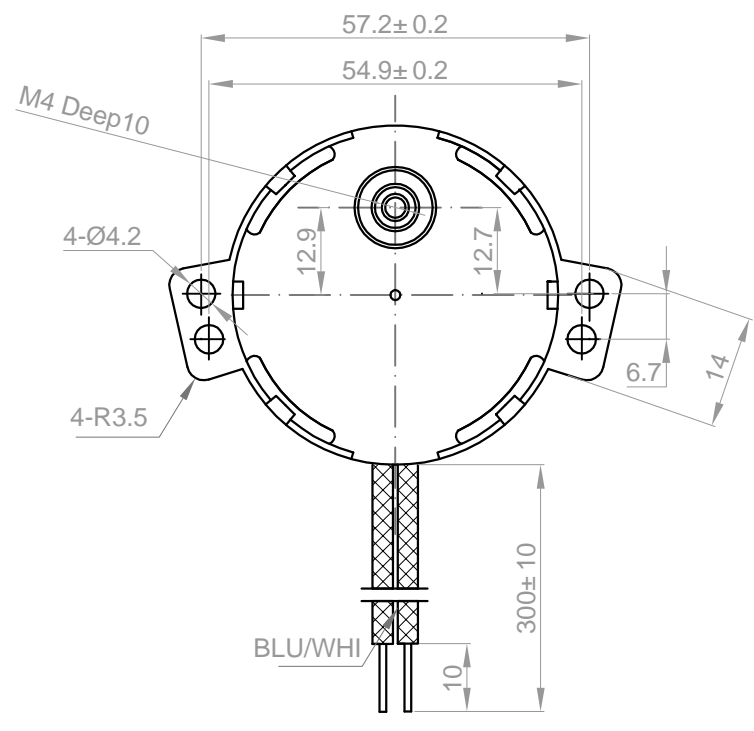
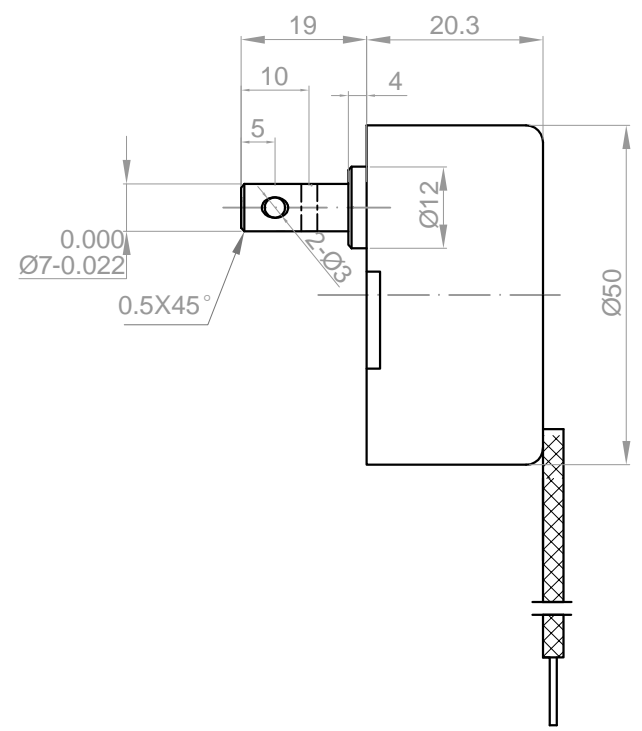


Rev.	Description	Date
01	Release	05/17/2012



No.	Item	Specification	No.	Item	Specification
1	Rated Voltage	220 VAC	7	Rotation Direction	CW/CCW
2	Rated Speed	5/6 RPM	8	Temperature Rise	60K Max
3	Input Power	4 W Max	9	Noise	45 dB Max
4	Input Current	30 mA Max	10	Insulation Class	E
5	Rated Torque	4/3.5 Kgf.cm Min	11	Start Voltage	187 V
6	Rated Frequency	50/60 Hz			

Drawn	Kim	05/17/2012
Checked	Sara	05/17/2012
Eng Appr.		
Mfg Appr.		
Q.A.		
SKU	1311146	

Unit: mm		
Kysan Electronics		
www.kysanelectronics.com info@kysanelectronics.com		
Scale: 2:1	Weight(Kg):	Size A4