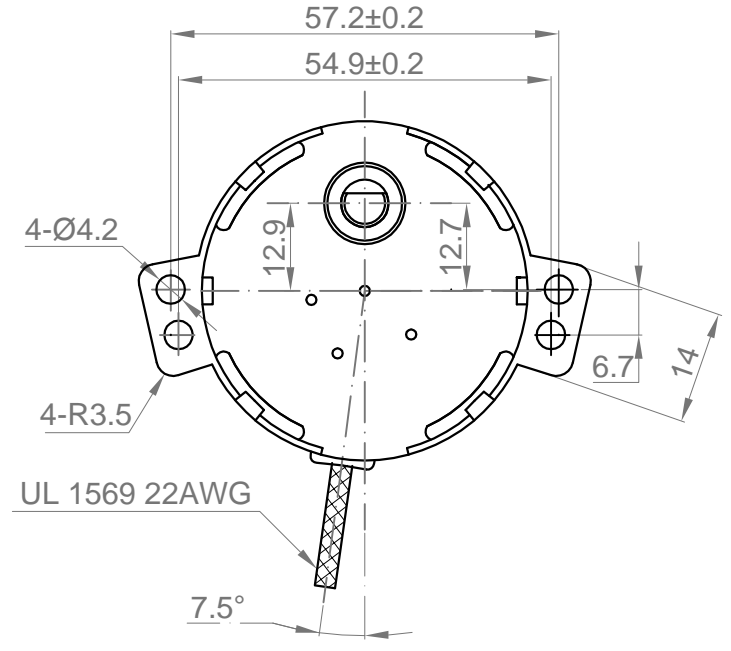
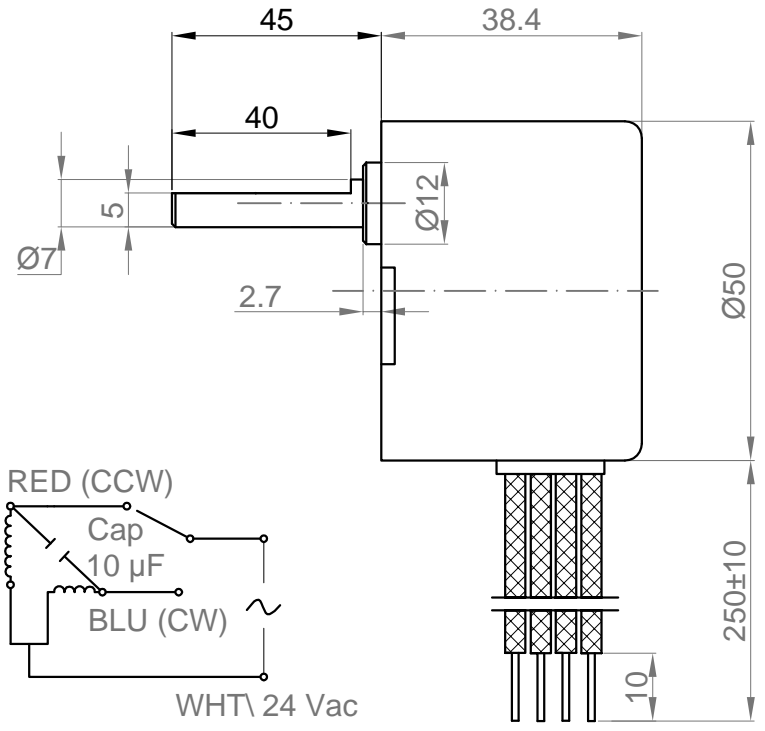


Rev.	Description	Date
01	Release for production	03/04/2013



NO.	Item	Specification	NO.	Item	Specification
1	Rated Voltage	24 Vac	7	Rotation Direction	CW/CCW
2	Rated Frequency	50 Hz	8	Temperature Rise	60K Max
3	Rated Speed	28.3 RPM	9	Noise Level	≤45 dB
4	Input Power	6 W			
5	Input Current	400 mA Max			
6	Rated Torque	2.5 Kgf.cm			

Drawn	Harry	03/04/2013	Kysan Electronics www.kysanelectronics.com Email : info@kysanelectronics.com		
Checked	Sara	03/04/2013			
Eng Appr.					
Mfg Appr.					
Q.A.					
SKU	1311148		Size : A4	Weight(Kg):	Unit: mm
			Scale: 2:1		Sheet 1of 1