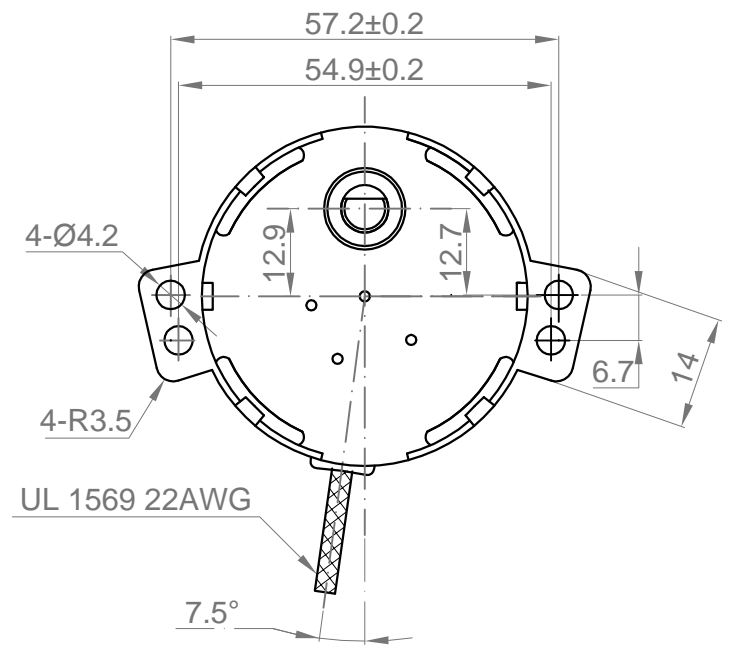
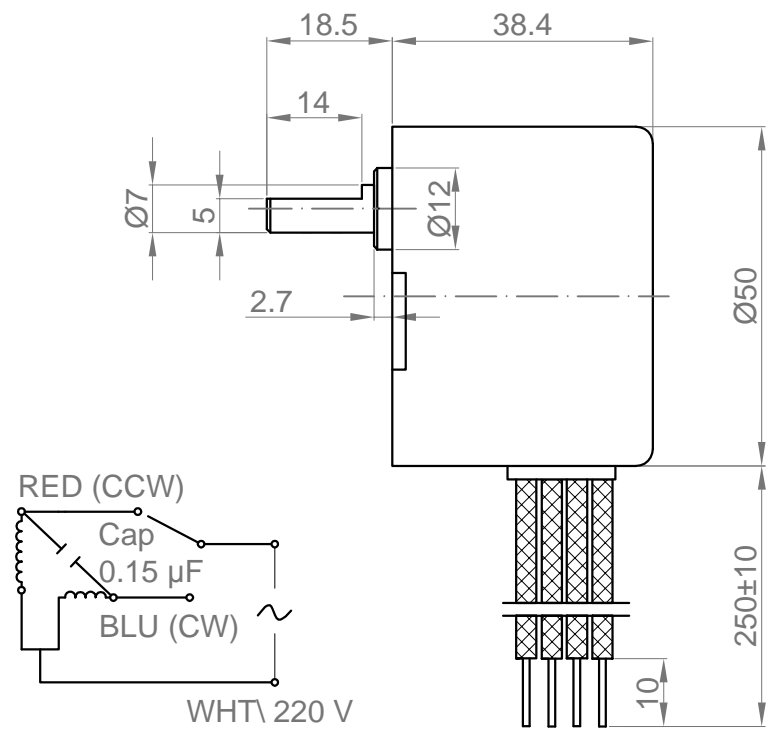


Rev.	Description	Date
01	Release for production	08/06/2012



NO.	Item	Specification	NO.	Item	Specification
1	Rated Voltage	220 V	7	Rotation Direction	CW/CCW
2	Rated Frequency	50 Hz	8	Temperature Rise	60K Max
3	Rated Speed	1 RPM	9	Noise Level	45 dB Max
4	Input Power	7 W Max	10	Starting Voltage	(220~240)±15% V
5	Input Current	35 mA Max			
6	Rated Torque	30 Kgf.cm			

Drawn	Feny	08/06/2012
Checked	Sara	08/06/2012
Eng Appr.		
Mfg Appr.		
Q.A.		
SKU	1311156	

Kysan Electronics
www.kysanelectronics.com

info@kysanelectronics.com

Size : A4	Weight(Kg):	Unit: mm
Scale: 2:1		Sheet 1 of 1