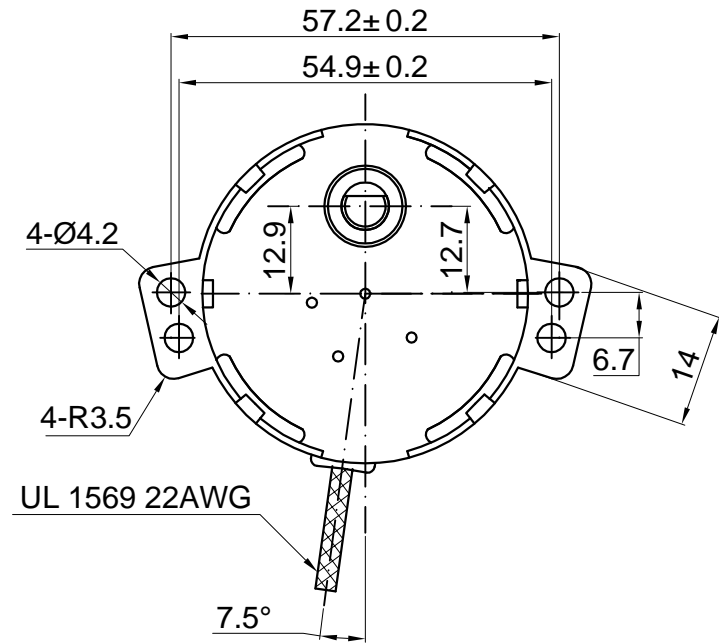
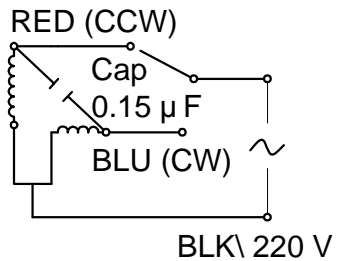
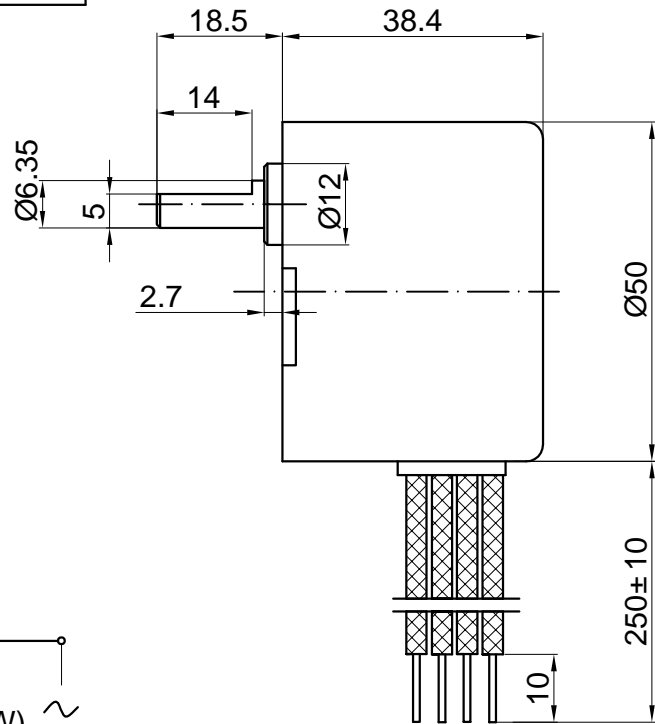


NO.	ITEM	SPECIFICATION
1	Rated Voltage	220 V
2	Rated Frequency	50 Hz
3	Rated Speed	5 RPM
4	Input Power	7 W Max
5	Input Current	35 mA Max
6	Rated Torque	12 Kg.cm
7	Rotation Direction	Dual direction Contra
8	Temperature Rise	60K Max

Rev.	Revision	Date
00		6/3/2014



DRAWN	Amily	6/3/2014
CHECKED	Lawrence	6/3/2014
ENG APPR.		
MFG APPR.		
Q.A.		

50KTYZ-220V5RPM

UNIT: mm

Kysan Electronics

SIZE
A4

Kysan SKU
1311211

REV
00

SCALE: 2:1

Weight(kg): 0.5

SHEET 1 OF 1