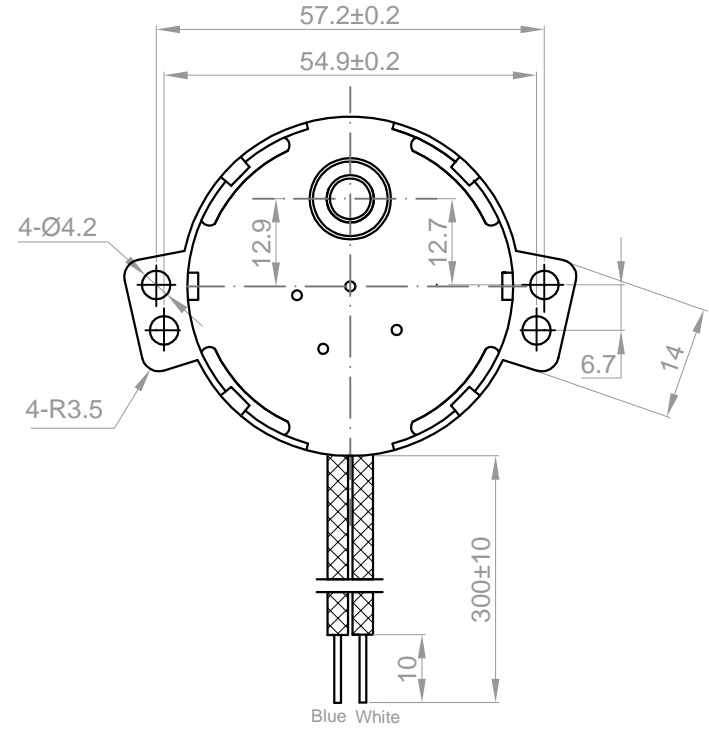
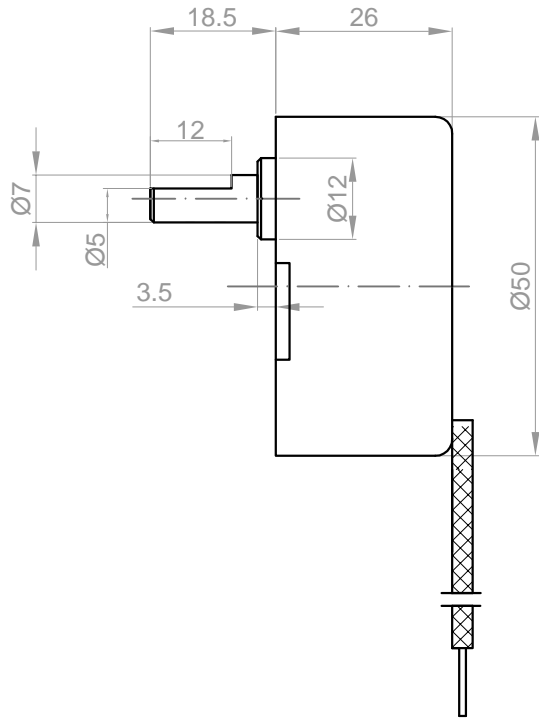


Rev.	Description	Date
01	Release	07/11/2013



No.	Item	Specification	No.	Item	Specification
1	Rated Voltage	220 VAC	7	Temperature rise	60 K Max
2	Rated Speed	5 RPM	8	Rotation direction	CW
3	Rated Frequency	50 Hz	9	Noise Level	45 Max
4	Input Power	4 W MAX			
5	Input Current	25 mA MAX			
6	Rated torque	8 Kg.cm			

Drawn	Harry	07/11/2013
Checked	Sara	07/11/2013
Eng Appr.		
Mfg Appr.		
Q.A.		
SKU	1311290	

Kysan Electronics
www.kysanelectronics.com
Email : info@kysanelectronics.com

Size : A4	Weight(Kg):	Unit: mm
Scale: 2:1		Sheet 1of 1