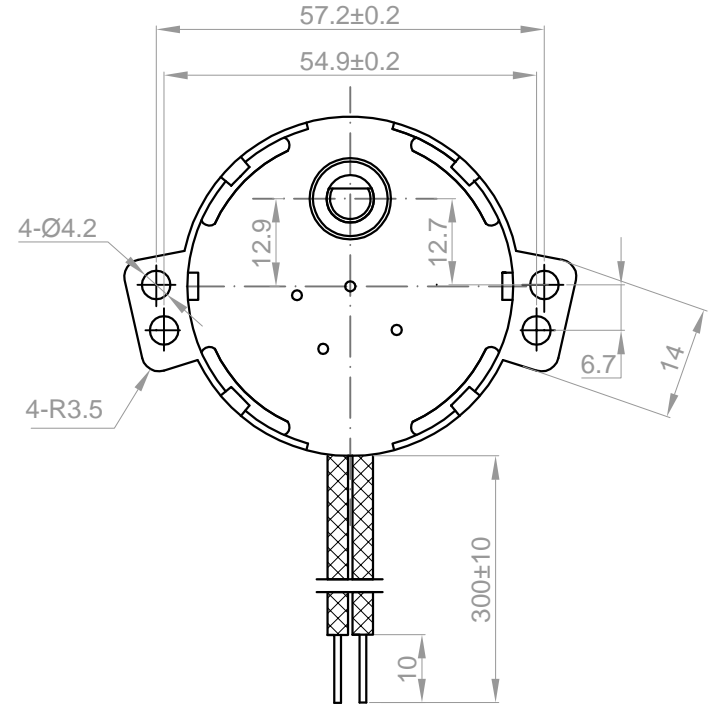
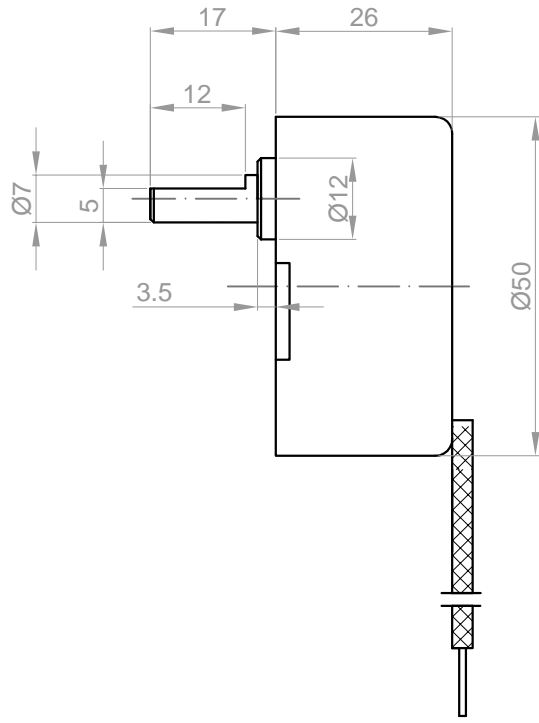


Rev.	Description	Date
01	Release	08/15/2013



No.	Item	Specification	No.	Item	Specification
1	Rated Voltage	220 VAC	7	Rotation Direction	CW/CCW Free
2	Rated Speed	8/9.6 RPM	8	Starting Voltage	(220-240)±15%
3	Input Power	4/3.5 W Max	9	Temperature Rise	60 K Max
4	Input Current	25/20 mA Max	10	Noise Level	45 dB Max
5	Rated Torque	4/3.4 Kgf.cm Min			
6	Rated Frequency	50/60 Hz			

Drawn	Gimy	08/15/2013
Checked	Sara	08/15/2013
Eng Appr.		
Mfg Appr.		
Q.A.		
SKU	1311291	

Unit: mm		
Kysan Electronics www.kysanelectronics.com info@kysanelectronics.com		
Scale: 2:1	Weight(Kg): 0.5	SIZE A4