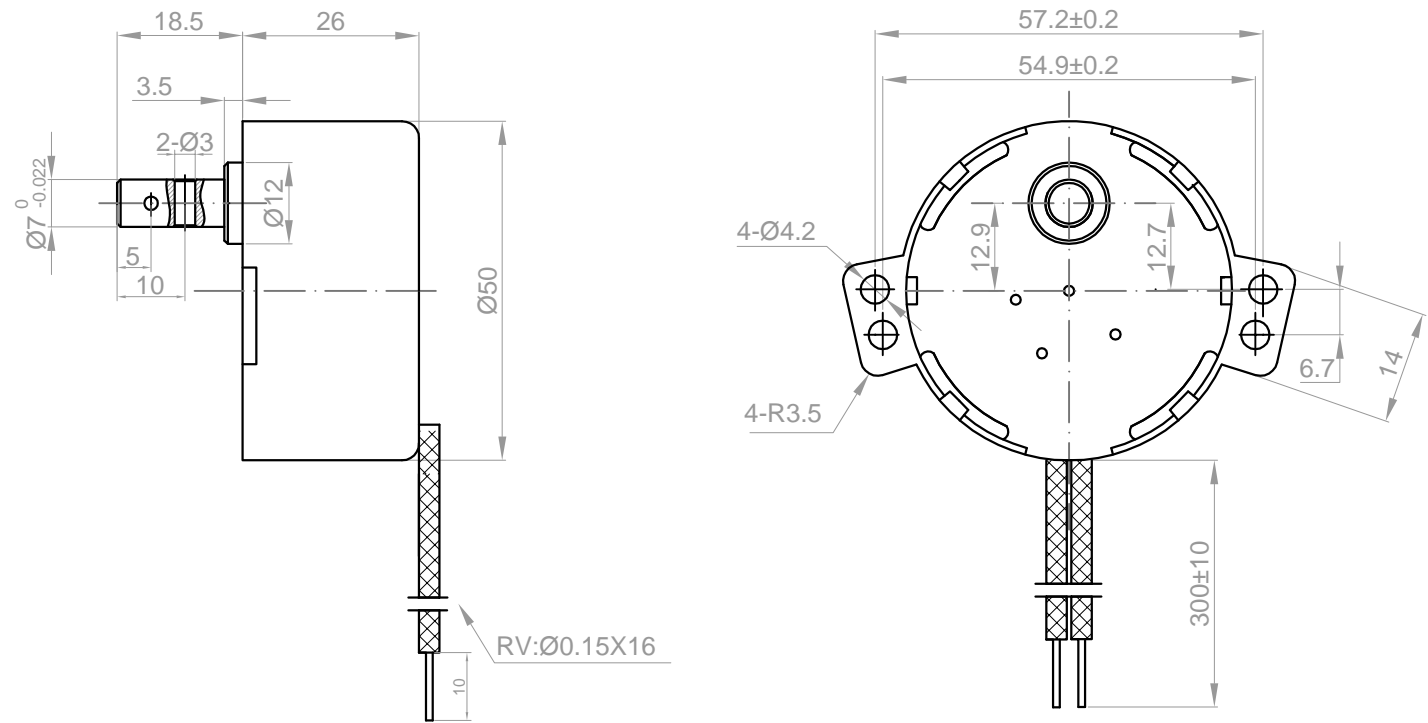


Rev.	Description	Date
01	Release	07/17/2014



No.	Item	Specification	No.	Item	Specification
1	Rated Voltage	120 VAC	7	Temperature rise	60 K Max
2	Rated Speed	15/18 RPM	8	Rotation direction	CW
3	Input Power	4/3.5 W MAX			
4	Input Current	50/40 mA MAX			
5	Rated torque	2/1.6 Kgf.cm			
6	Frequency	50/60 Hz			

Drawn	Joseph	07/17/2014
Checked	Lawrence	07/17/2014
Eng Appr.		
Mfg Appr.		
Q.A.		
SKU	1311294	

**Kysan Electronics**  
[www.kysanelectronics.com](http://www.kysanelectronics.com)  
 Email : [info@kysanelectronics.com](mailto:info@kysanelectronics.com)

Size : A4	Weight(Kg):	Unit: mm
Scale: 2:1		Sheet 1of 1