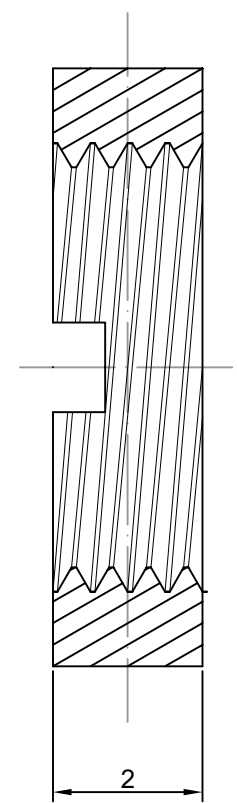
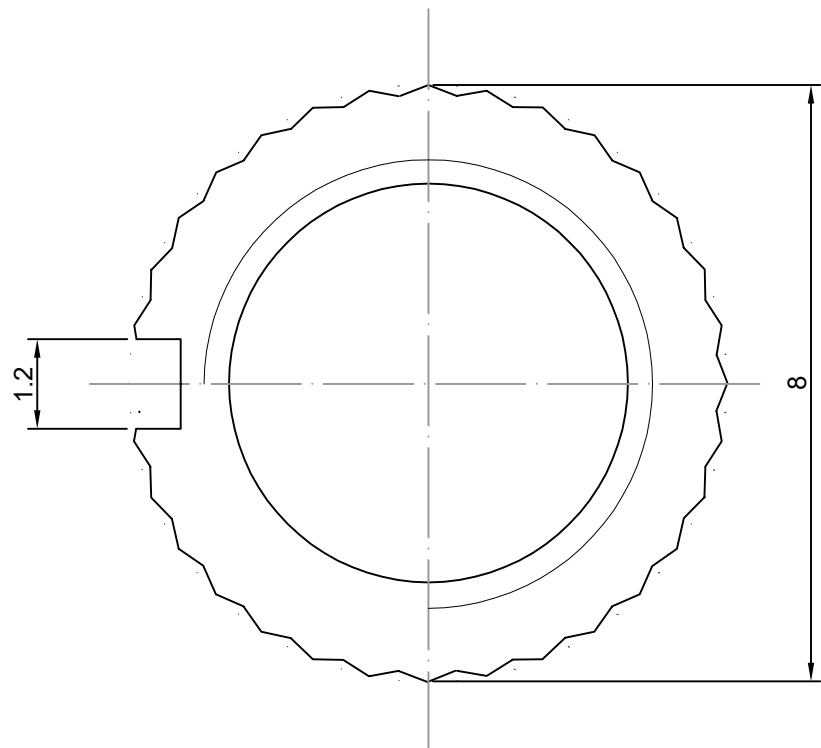
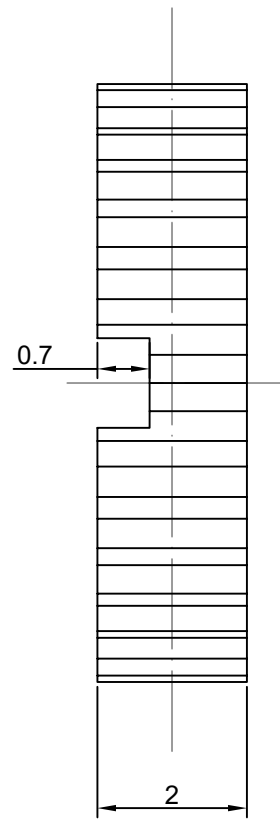


8 7 6 5 4 3 2 1

D
C
B
A

D
C
B
A



Notes:
 1,Material: Zinc alloy
 2,M6x0.5



Drawn	Tony	05/25/2026	Unit: mm	
Checked	Eva	05/25/2026	Kysan Electronics www.kysanelectronics.com	
Eng Appr.				
Mfg Appr.				
Q.A.				
SKU:			Siae: A4	Weight(Kg):
1366209			Scale	

8 7 6 5 4 3 2 1