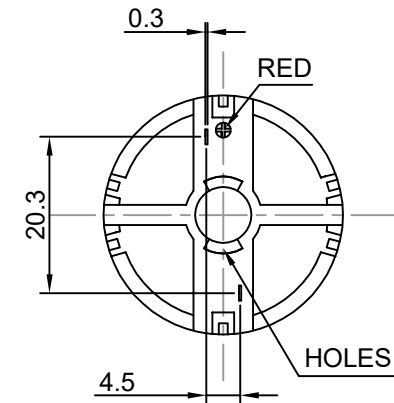
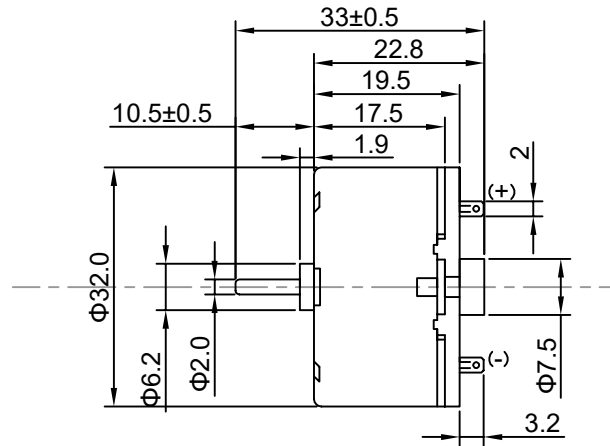
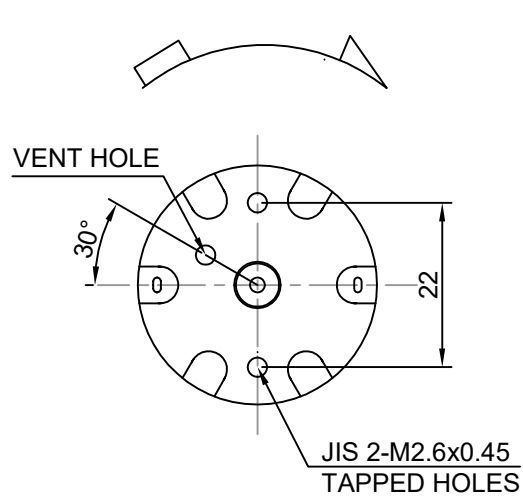


Direction of Rotation



No.	Item	Specification	No.	Item	Specification
1	Rated Voltage	5V DC	7	Stall Current	0.54A
2	Start Voltage	1.0V DC Max	8	Stall Torque	134.5g.cm
3	No Load Current	0.035A Max	9	Shaft end play	0.05-0.3mm
4	No Load Speed	3100±10%RPM	10		
5	Rated Load Current	0.12A Max			
6	Rated Load Speed	2540±10%RPM			

Drawn	Tony	11/19/2024	Unit: mm		
Checked	Eva	11/19/2024	Kysan Electronics www.kysanelectronics.com		
Eng Appr.					
Mfg Appr.					
Q.A.					
SKU: 16071			Siae: A4	Weight(Kg):	
			Scale		