

1. Model SKU-2101311

2. No. of specification

3. Genera

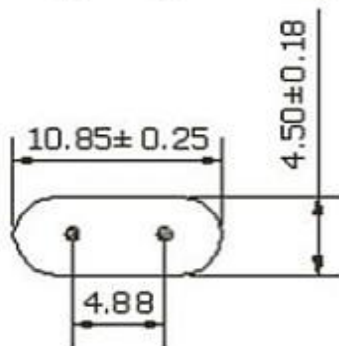
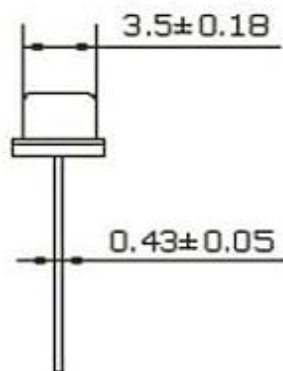
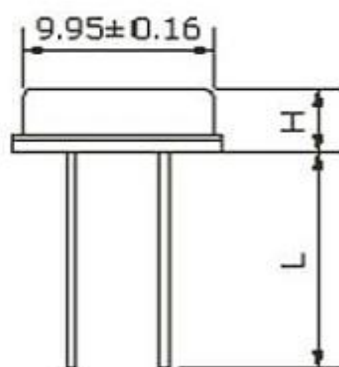
3.1. Nominal Frequency (F_0):	16.000MHz
3.2. Mode of Oscillation (Mn):	Fund (AT Cut)
3.3. Operating Temperature Range (T_0):	-20°C~+70°C
3.4. Storage Temperature Range (T_s):	-55°C~+125°C
3.5. Test Set:	S&A 250B-1 S&A 350D
3.6. Drive Level (DL):	0.1mW Max.
3.7. Loading Capacitance (CL):	20pF

4. Electrical Characteristics

(This test shall be performed under the conditions of temp. at 25±3°C, humidity 60% max.)

4.1. Frequency Tolerance (ΔF):	±20PPM
4.2. Equivalent Resistance (R_r):	50Ω Max./Series
4.3. Temperature Drift (T_c):	±30PPM Max. / -20°C~+70°C
4.4. Shunt Capacitance (C_0):	7pF Max.
4.5. Drive Level Dependence (DLD):	$\Delta R_r=16\Omega$ Max.
4.6. Insulation Resistance (R_i):	More than 500MΩ / 100V±15VDC.
4.7. Aging:	±3PPM Max.

5. Outline Drawing (mm)



H (mm)	L (mm)
3.5	13.2 ± 0.1

6.1 Crystal Units Ordering Information

<u>HC-49S</u>	— <u>C</u>	<u>20</u>	<u>Q</u>	<u>S</u>	<u>A</u> —	<u>16.000</u>
↓	↓	↓	↓	↓	↓	↓
Package	Operating Temperature Range	Load Capacitance	Frequency Tolerance	Frequency Stability	Vibration Mode	Nominal Frequency (MHz)
HC-49U HC-49UX HC-33U HC-49S HC-49SA HC-49SB HC-49XA HC-49XB X53F X63F X75F X53T X63T UM-1 UM-5 AT-38 AT-39	A=0°C~+50°C B=-10°C~+60°C C=-20°C~+70°C G=-40°C~+85°C J=-55°C~+125°C	00=series 06=6.0pF 08=8.0pF 10=10pF 12=12pF 16=16pF 20=20pF 30=30pF 50=50pF Please enter the value of load capacitance	M=±3×10 ⁻⁶ N=±5×10 ⁻⁶ O=±10×10 ⁻⁶ P=±15×10 ⁻⁶ Q=±20×10 ⁻⁶ S=±30×10 ⁻⁶ T=±50×10 ⁻⁶	M=±3×10 ⁻⁶ N=±5×10 ⁻⁶ O=±10×10 ⁻⁶ P=±15×10 ⁻⁶ Q=±20×10 ⁻⁶ S=±30×10 ⁻⁶ T=±50×10 ⁻⁶ U=±100×10 ⁻⁶	A=AT-Fund B=BT-Fund T=3 RD F=5 TH TA=AT-3 RD FA=AT-5 TH	Please enter the nominal frequency

6.2 Frequency Stability Over Temperature Range

Temperature Range	Frequency Stability						
	M±3×10 ⁻⁶	N±5×10 ⁻⁶	O±10×10 ⁻⁶	P±15×10 ⁻⁶	Q±20×10 ⁻⁶	S±30×10 ⁻⁶	T±50×10 ⁻⁶
A:0°C~+50°C	●	●	●	●	●	●	●
B:-10°C~+60°C		●	●	●	●	●	●
C:-20°C~+70°C		●	●	●	●	●	●
G:-40°C~+85°C				●	●	●	●
J:-55°C~+125°C							※

※: Specially designated products.