

文件编号:

深圳市力牛科技有限公司

Shenzhen Power Bull Technology CO., LTD.

SPECIFICATION FOR APPROVAL

客户承认书

CUSTOMER/客户: 深圳市凯盛电子有限公司
MODEL NO./产品型号: LN-250036V
CUSTOMER NO./客户型号:
PRODUCT SPEC./产品规格: UL Wall Type 36V/25W
SAFETY STANDARD/安全标准: UL/CUL/TUV/CE/CB

| MARK | REVISED CONTENT | APPROVED & DATE |
|------|-----------------|-----------------|
| | | |

| AUTHORIZED SIGNATURE & COMPANY CHOP/客户认可签回 | |
|--|--|
| | |

| | | | | | |
|-----------|-------|------------|--------|-------------|-------|
| DATE/日期 | 07.15 | EDITION/版本 | rev1.0 | PAGE/页码 | 13 |
| DESIGN/拟制 | 周洲 | CHECK/审核 | 覃佐聪 | APPROVAL/批准 | Sunny |

Shenzhen Power Bull Technology co., Ltd./深圳市力牛科技有限公司

TEL: 13242992037 FAX: 0755-33681783

<http://www.szpowerbull.com> E-mail: lhi.sunny@163.com

地址: 深圳市宝安铁岗村益成工业区A栋二楼D1区

ADAPTER

Electrical Specification

SPECIFICATION
ON

FILE No.LN-250036V

25W36V

| DESCRIBED | CHECKED | APPROVED | REV. |
|------------------|----------------|-----------------|-------------|
| | | | 1.0 |

Date: 2009-07-14

Table of Content

Section

History

1.0 Input Characteristics

- 1.1 Rated Input Voltage
- 1.2 Input Voltage Range
- 1.3 Input Frequency range
- 1.4 Input Voltage Harmonic Distortion
- 1.5 Input Current Harmonic
- 1.6 Efficiency(warm up after 1 hour
- 1.7 Inrush current
- 1.8 No Load Power Consumption

2.0 Output Characteristics

- 2.1 output Rated Voltage
- 2.2 output Current
- 2.3 Output voltage Setting
- 2.4 Output voltage Ripple
- 2.5 Turn-On Delay Time
- 2.6 Hold Up Time
- 2.7 Rise Time
- 2.8 Load Transient Response

3.0 Protection Characteristics

- 3.1 Over Current Protection
- 3.2 Over -Voltage Protection

4.0 Environmental Characteristics

- 4.1 Dielectric Strength:(Hi-Pot)
- 4.2 Insulation Resistance
- 4.3 Leakage current
- 4.4 EMI
- 4.5 Safety conforming
- 4.6 Cooling
- 4.7 Temperature
- 4.8 Humidity
- 4.9 MTBF

ADAPTER

Electrical Specification

5.0 Mechanical Characteristics

5.1 Dimension(Length x width x Height)

5.2 Input AC socket Type

5.3 Output DC Cable Length

5.4 AC Cable pulling Removal Strength

5.5 Plug Insert withdraw force

5.6 Drop

5.7 Color

Date: 2009-07-14

ADAPTER

Electrical Specification

Electrical Requirements

1. Input Characteristics:

| ITEM | CONDITION | SPECIFICATION |
|---------------------------------------|--------------------------|---|
| 1.1 Rated Input Voltage | | 100/240V |
| 1.2 Input Voltage Range | Continuously | 90Vac -264Vac |
| 1.3 Input Frequency range | Continuously | 47Hz -63Hz |
| 1.4 Input Voltage Harmonic Distortion | | |
| 1.5 Input Current Harmonic | 100Vac,240Vac/0.8A | EN60950 |
| 1.6 Efficiency(warm up after 1 hour) | 100Vac/0.8A ,240Vac/0.4A | $\geq 76\%$ |
| 1.7 Inrush current: | 100Vac/240Vac | shall be less than the rating of adapter critical component (including rectifiers, fuse surge and current limiting device). |
| 1.8 No Load Power Consumption | 240Vac/0A load | $< 0.5W$ |

MODEL NO.

SHEET 6 OF 13

Date: 2009-07-14

ADAPTER

Electrical Specification

2. output Characteristics:

| ITEM | CONDITION | SPECIFICATION |
|--|--|---------------|
| 2.1 output Rated Voltage | 100V~240V | 36V |
| 2.2 output Current | at constant voltage mode | 0A-700mA Max |
| 2.3 Output voltage Setting | at the output end of DC cable | 35.9V~36.1V |
| 2.4 Output voltage Ripple and Noise:(0.1uF Ceramic Cap.and 50 V 10uF Aluminum Cap.Paralleled between the end of output cable,BW=20MHz) | 100Vac/0.8A 240Vac/0.4A | <120mVp-p |
| 2.5 Turn-On Delay Time: | at 100Vac/25W load,output voltage shall remain regulation | 300mS |
| 2.6 Hold Up Time: | at 100Vac/25W or 240Vac/25W load,output voltage shall remain regulation | 200mS |
| 2.7 Rise Time: | at 100Vac or240Vac/25W load,DC output rise time form 5% to 95% of Vo | |
| 2.8 Load Transient Response: | Output load step from 10% to 90% of 1W,S/R=0.5A/us,100Hz &1KHz 50% duty.Output voltage within. | |

MODEL NO.

SHEET 7 OF 13

Date: 2009-07-14

ADAPTER

Electrical Specification

3. Protection Characteristics:

| ITEM | CONDITION | SPECIFICATION |
|-------------------------------|---|---------------------|
| 3.1 Over Current Protection: | When an internal fault occur, or an external fault is applied to the adapter, such that an overload or short circuit is applied to the output, the adapter shall shut down. It will enter into normal condition if the fault condition is removed. | $\leq 700\text{mA}$ |
| 3.2 Over -Voltage Protection: | The adapter will enter into shut down that means no output while over voltage happened at output terminal that caused by internal fault, the output trip voltage shall not exceed 35.9volts with a maximum duration of 250 milliseconds. That will be return to normal until adapter restart. | |

ADAPTER

Electrical Specification

4.Environmental Characteristics:

| ITEM | CONDITION | SPECIFICATION |
|---|---|------------------------------|
| 4.1 Dielectric Strength:(Hi-Pot) | Between AC input and secondary applied AC 3.0kV, test time 1 minute, and cut off current shall be less than 10 mA.AC 3.0kV, test time 10 Sec.for mass production. | 3.0KV |
| 4.2 Insulation Resistance | Between AC input and secondary applied 500Vdc, test time 1 minute. 500Vdc, test time 10 Sec.for mass production. | $\geq 100M \Omega$ |
| 4.3 Leakage current | 240Vac/50Hz 100Vac/60Hz | $\leq 0.25mA$ |
| 4.4 EMI: Adapter comply with the following national standards: EMI: Conducted Emission EMI: Radiated Emission | 120Vac/230Vac:1A load The adapter internal filter to meet | FCC CLASS B |
| 4.5 Safety conforming: | Regulated by customer | |
| 4.6 Cooling | Natural air cooling | |
| 4.7 Temperature: | Operation Storage | 0 to +40°C -40°C to +55°C |
| 4.8 Humidity: | Operation Storage | 20% ~85% 10%~95% |
| 4.9 MTBF | 80% max imum load at 25°C | $\geq 50000H$ |

MODEL NO.

SHEET 9 OF 13

Date: 2009-07-14

ADAPTER

Electrical Specification

5.Mechanical Characteristics:

| ITEM | CONDITION | SPECIFICATION |
|--|--|---------------------------------|
| 5.1 dimension (Length x width x Height) | | (UL-129Type)L81*W58*H35mm |
| 5.2 Input AC socket Type | | DIP-2 UL Type |
| 5.3 Output DC Cable Length | | 2464# 22AWG 1.5M DC:5.5*2.1*9.5 |
| 5.4AC Cable pulling Removal Strength | NO | |
| 5.5 Plug Insert withdraw force | | |
| 5.6 Drop | Storage: Lift this unit a height of 1 meter onto a hardwood surface one time at 6 directions. There should be no damage. | |
| 5.7 Color | | |
| Case | | Black |
| DC Cable (including Molding Core) | | Black |

MODEL NO.

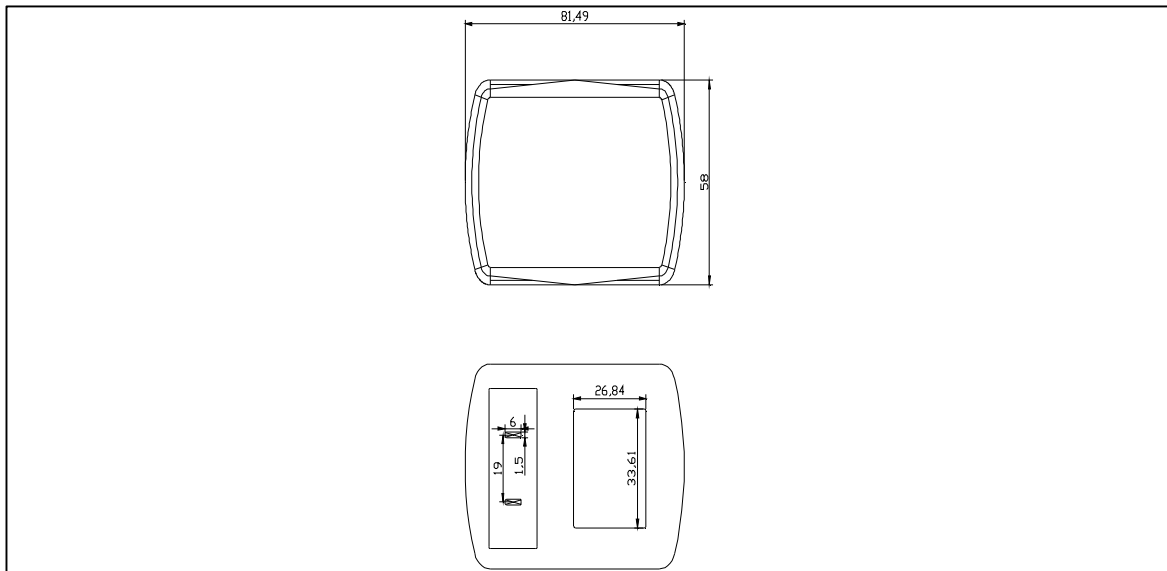
SHEET 10 OF 13

Date: 2009-07-14

ADAPTER

Electrical Specification

7.Drawing



MODEL NO.

SHEET 11 OF 13

Date: 2009-07-14

ADAPTER

Electrical Specification

8.Appearance



MODEL NO.

SHEET 12 OF 13

Date: 2009-07-14

ADAPTER

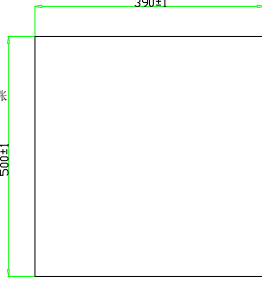
Electrical Specification

9.Packag

| RevNo | Revision note | Date | Signature | Checked |
|-------|---------------|------|-----------|---------|
| | 48V1A电源白盒 | | | |

平卡

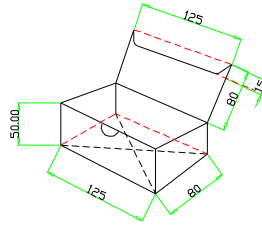
1. 材质: A=B
2. 用量: 每箱用2张



12V1A 印度电源包装平卡

白盒

1. 材质: 250g 白卡纸
2. 用量: 每箱用100个
3. 白盒底部可对折自封口



| | | | | | | | |
|----------|--|------|----------|-----|----------|-------|--------|
| Designed | | Date | Material | A=B | Quantity | REV. | 1A |
| Checked | | Date | Finished | | | Scale | FIT |
| Approved | | Date | | | | Sheet | 2 OF 2 |

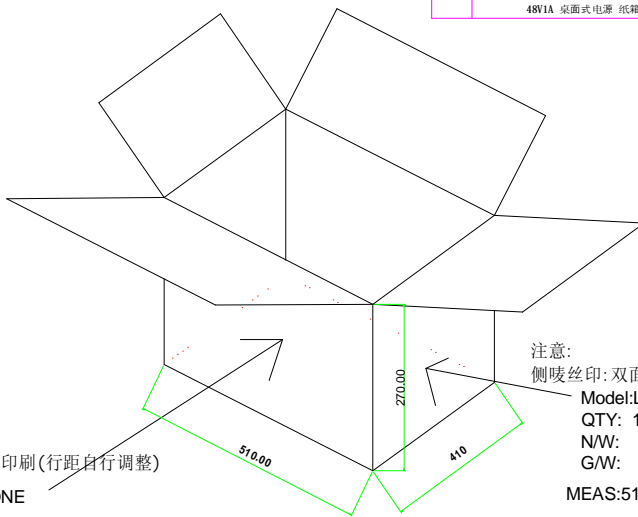
| RevNo | Revision note | Date | Signature | Checked |
|-------|----------------|------|-----------|---------|
| | 48V1A 桌面式电源 纸箱 | | | |

注意:
正唛丝印: 双面印刷(行距自行调整)

**SMART PHONE
AC/DC CHARGER
12V@1A**

注意:
侧唛丝印: 双面印刷(行距自行调整)

Model: LG-250/255/260/270
QTY: 100PCS
N/W: Kg
G/W: kg
MEAS: 51*41*27CM



| | | | | | | | |
|----------|--|------|----------|-----|----------|-------|--------|
| Designed | | Date | Material | A=B | Quantity | REV. | 1A |
| Checked | | Date | Finished | | | Scale | FIT |
| Approved | | Date | | | | Sheet | 1 OF 1 |

MODEL NO.

SHEET 13 OF 13

Date: 2009-07-14