

# SPECIFICATION FOR APPROVAL

CUSTOMER NAME:

**A096**

DESCRIPTION :

**AC ADAPTOR**

MODEL NO. :

**GPU481201500WDOO**

DESIGNED NO.

**GQ110033**

I/P: 120VAC 60Hz

O/P: 12VDC 1500mA

CUSTOMER PART NO.

REVISION.

**A**

**APPROVED BY(PLEASE SIGN)**

APPROVED BY(PLEASE SIGN)			

**Kysan Electronics**

# ENGINEERING CHANGE REQUEST

ORIGINAL	REVISION

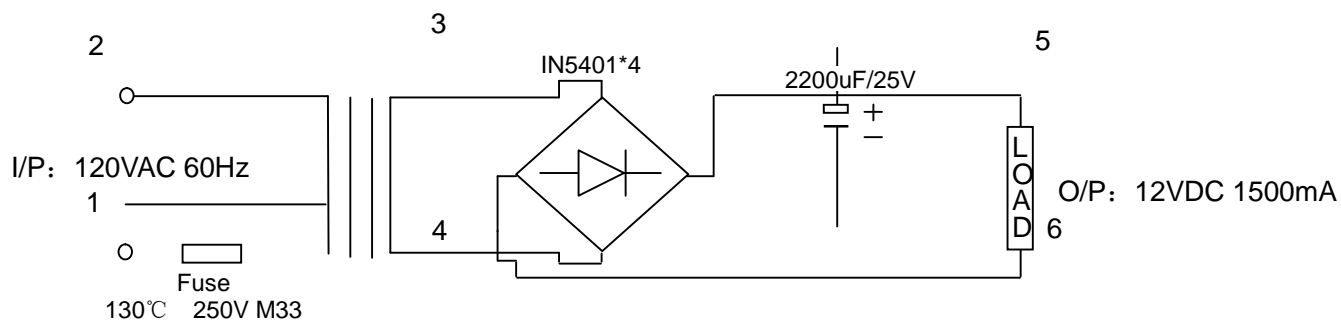
REV	DATE	DESCRIPTION	REVISION OF CAUSES

DRAWER	CHECKED	APPROVED	CUSTOMER	
February 18, 2011			MODEL NO	GPU481201500WDOO
			REV	A
			DATE	February 18, 2011
			PAGES	1/10

**1.ELECTRICAL PERFORMANCE**

1-1.Primary rated voltage and frequency: 120VAC 60Hz.

**1-2.ELECTRICAL CHARACTERISTICS**



**1-3.Secondary rated voltage and current**

TEST POINT	FULL LOAD RATED VOLTAGE	RATED CURRENT	VOLTAGE REGULATION	NO LOAD VOLTAGE
5~6	12VDC±5%	1500mA		18VDC±5%

1-4.Primary exciting current(Io): 60mA rms max, at input 120VAC 60Hz.

Loading(IL): 310mA rms max.

1-5.D.C.Resistance: Primary: 29.36 Ω±15%,measured at25°C.

1-6.Empty loss max: 2.5 watts max, at input 120VAC 60Hz.

1-7.Temperature rise: 75°C max on primary coil by the resistance method, and 55°C max on the surface of the case by the thermometer method at 25°C ambient, rated load condition.

1-8.Insulation resistance: 500VDC supplied,100M ohms minimum between winding & core.

1-9.HI-pot test: 1250VAC 50Hz for 60seconds (leakage current 1mA) primary to secondary & core.

Potential 20% higher may be applied for one second

500VAC 50Hz for 60seconds (leakage current 1mA) secondary to

ore. Potential 20% higher may be applied for one second

DRAWER	CHECKED	APPROVED	CUSTOMER	
February 18, 2011			MODEL NO	GPU481201500WDOO
			REV	A
			DATE	February 18, 2011
			PAGE	2/10

1-10. Induce voltage: All secondary opened, primary should withstand 240V 360Hz for 60second without breakdown.

1-11. Life test: In an ambient temperature of 25°C ,90-95% R.H., applying a power source of 120VAC 60Hz to primary, with full load 1500mA for 24hours continuously, unit output normally and meet the requirements of item 1-8、 1-9.

1-12. Humidity test: In an ambient temperature of 25±2°C and 90-95% R.H.. for 48 hours after 10 minutes out of the oven, the unit should meet item 1-9 requirements, and insulation Resistance shall be 10M ohms minimum.

**2.MECHANICAL CHARACTERISTICS**

2-1. Drop test: Dropped freely from 3 feet height onto a concrete floor covered with 1/8 inch vinyl tile 3 times from 3 different surface, the unit should meet the item 1-9

2-2. Strain relief test: At normal position, 20 lbs to output cord for 60 seconds each, there shall be no breakage displacement.

2-3. Bending test: The plug and S/R should withstand weight of 200 gram, swinging from left to right at an angle of 120 degree for 1000 cycles, and 15-20cycles per minute. The cord shall be conductible.

**3.SAFETY STANDARD**

◇Meet

◆Approved

◆UL/CUL

◇CSA

◇TUV/CE

◇BSI/CE

◇T-MARK

◇CQC

◇CCC

**4.INSULATION SYSTEM**

◇CLASS A (105°C)

◇CLASS E (120°C)

◆CLASS B (130°C)

◇CLASS F (155°C)

DRAWER	CHECKED	APPROVED	CUSTOMER	
February 18, 2011			MODEL NO	GPU481201500WDOO
			REV	A
			DATE	February 18, 2011
			PAGES	3/10

**5. MECHANICAL REQUIRMENTS:**

5-1. Appearance: Damage and rusting are not permitted.

**6.ENVIRONMENTAL CONDITION:**

6-1.Operating temperature range: -10°C---+40°C

6-2.Storage temperature range: -20°C---+80°C

6-3.Operation humidity range: 30---85% R.H

**7.INSPECTION ON LINE:**

7-1. The test items for each produce

- ◆ Primary exciting current
- ◆ Core loss
- ◆ Output voltage
- ◆ Input current and power at rated load
- ◆ Foreign mass by shock
- ◆ Polarity of output plug
- ◆ Hi-pot test
- ◆ Appearance

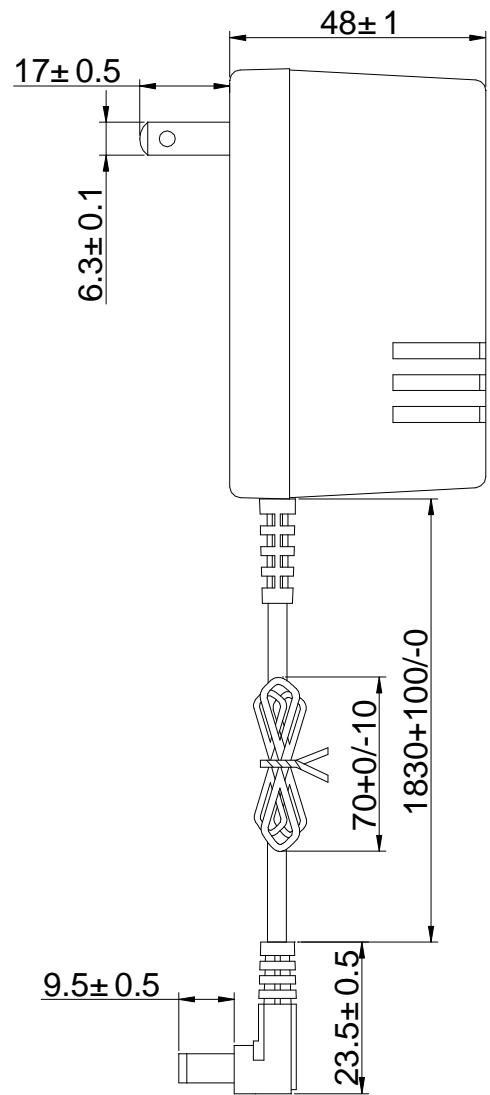
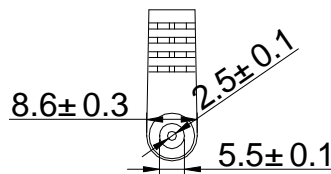
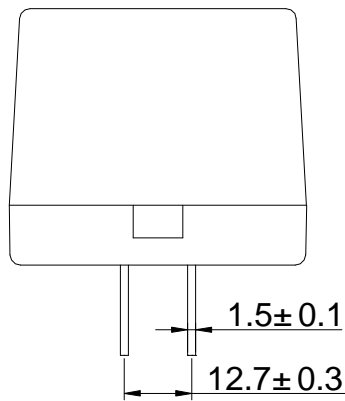
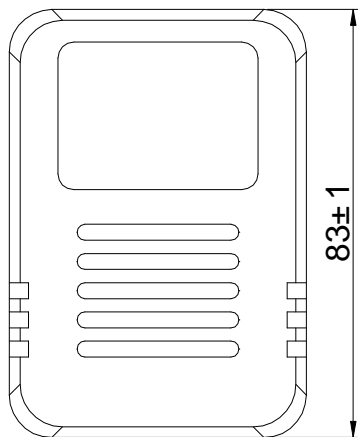
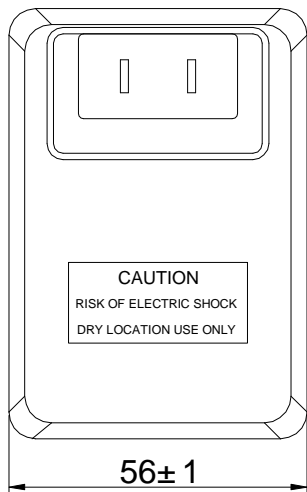
7-2. The test item for part of products:

- ◆ Hum operating at rated load
- ◆ D.C. Resistance
- ◆ Insulation test

**8.NET WEIGHT:527g**

DRAWER	CHECKED	APPROVED	CUSTOMER	
February 18, 2011			MODEL NO	GPU481201500WDOO
			REV	A
			DATE	February 18, 2011
			PAGES	4/10

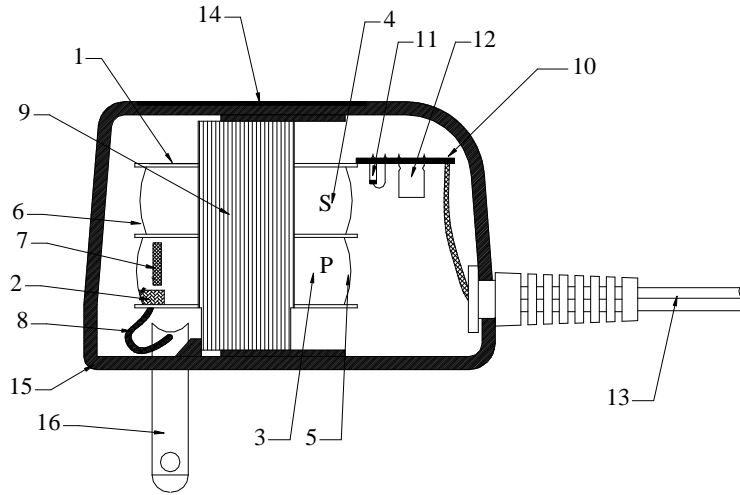
9.APPEARANCE DIMENSION: ( UNIT: mm )



OUTPUT CORD: UL2464#20AWG :1.83m  
 PLUG/DC: 5.5<sup>±0.1</sup>mm\*2.5<sup>±0.1</sup>mm\*9.5<sup>±0.5</sup>mm  
 CENTER: “+”

DRAWER	CHECKED	APPROVED	CUSTOMER	
February 18, 2011			MODEL NO	GPU481201500WDOO
			REV	A
			DATE	February 18, 2011
			PAGES	5/10

# 10.MATERIAL LIST :



ITEM	PARTS NAME	MATERIAL&SPEC	MANUFATURER
1.	BOBBIN	PA66 THICK0.71mm MIN	E I DUPONT DE NEMOURS&CO INC.E41938
2.	Primary Crossover Insulation	ACETATE CLOTH TAPE CLASS B	SUZHOU JINGYI SPECIAL ADHESIVE TAPE CO LTD E188295
3.	PRI.WINDING	2UEW MAGNET WIRE CLASS B 2UEW	PACIFIC ELECTRIC WIRE & CABLE CO., LTD E201757 JUNG SHING WIRE CO., LTD.E174837
4.	SEC.WINDING	2UEW MAGNET WIRE CLASS B 2UEW	
5.	PRI.OUTER INSULATION	MYLAR TAPE 0.025mm 0.025mm CLASS B	JING JIANG PRESSURE SENSITIVE GLUE FTY. E165111 SUZHOU JINGYI SPECIAL ADHESIVE TAPE CO.,LTD.E188295
6.	SEC.OUTER INSULATION	MYLAR TAPE 0.025mm 0.025mm CLASS B	
7.	PROTECTION	THERMAL CUTOFF 130°C 250V M33	Jingjiang Xingcheng Electronics Co.,Ltd. TUV2134811
8.	LEAD WIRE	UL1015# AWG22	SHENZHENDONGJUWIRE&CABLE CO.,LTD.E189674
9.	CORE	E-I LAMINATED SILICON STEEL	BEST LEGEND HUI DINGS LTD.
10.	RECTIFIER BOARD	P.C.BOARD(94-V0) CLASS B 94-V0 1.60mm THICK	KINGBOARD LAMINATES(MACAO COMMERCIAL OFFSHORE) LTD.E123995
11.	DIODE	SILICON RECTIFIERS IN5401	DONGGUAN DE HUI ELECTRONIC CO.,LTD.
12.	CAPACITOR	ELECTROLYTI 2200uF 25V	DONGGUAN DE HUI ELECTRONIC CO.,LTD. YUH YIN ELECTRONIC(SHEN ZHEN)CO.,LTD.
13.	OUTPUT CORD	2464#20AWG	XIN LONG ENTERPRISE CO.E207567/E148059 DESAY WIRE CO.,LTD.E252840/E214500
14.	NAMEPLATE	PET(UL/CSA)OR ALUMINUM	JING XING PRINTING FACTORY MH45133 SANLI PRINTING FACTORY.MH20917 GUANG NING YOU TONG.MH27610
15.	ENCLOSURE	48UL	SABIC INNOVATIVE PLASTICS JAPAN LLC.E45587
16.	BLADE	NICKEL PLATING COPPER2PIN	EVERPROUD.LTD
NOTE	Varnish	V821A	QUALIPOLY CHEMICAL CORP.E213437

DRAWER	CHECKED	APPROVED	CUSTOMER	
February 18, 2011			MODEL NO	GPU481201500WDOO
			REV	A
			DATE	February 18, 2011
			PAGES	6/10

### 11.SAMPLE TEST DATA:

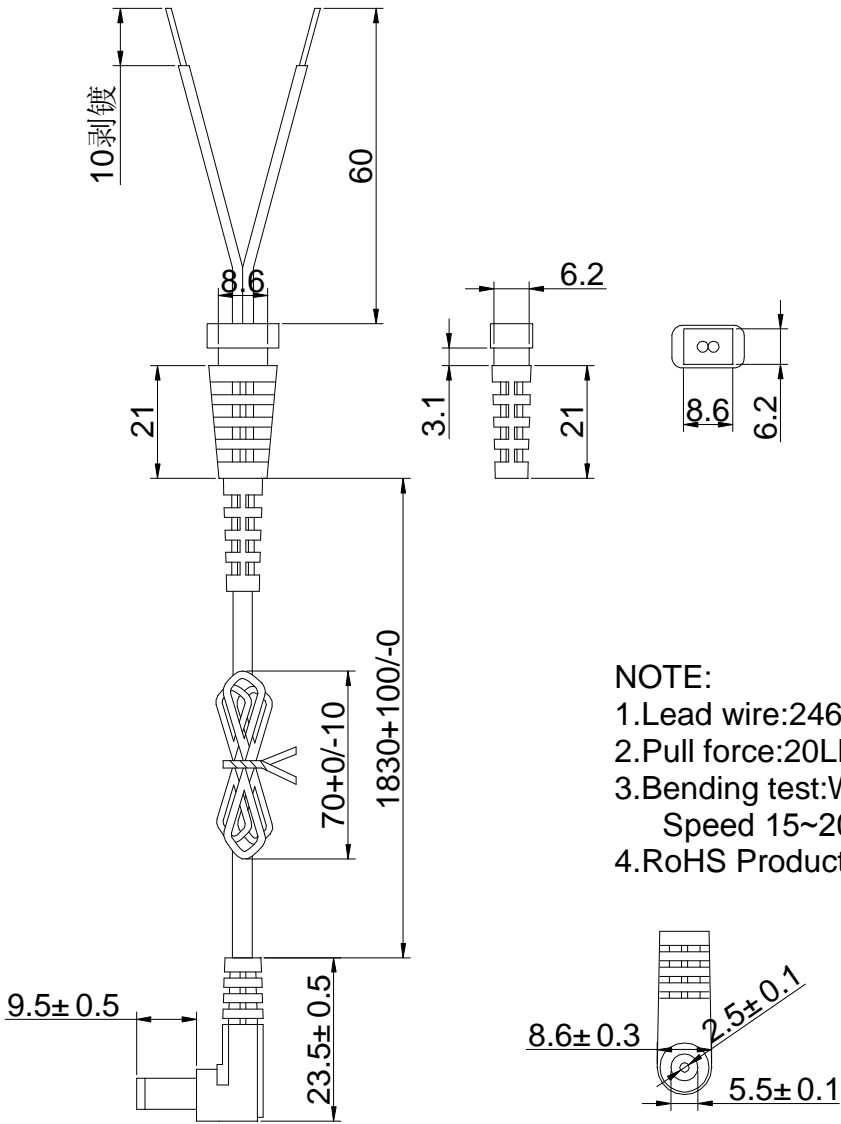
ITEM	SPEC	SAMPLE				
		#1	#2	#3	#4	#5
PRIMARY EXCITING CURRENT I/P: 120VAC 60Hz	60mA MAX	35	36			
PRIMARY FULL LOAD CURRENT I/P: 120VAC 60Hz	310mA MAX	280	281			
SECONDARY VOLTAGE NO LOAD	18VDC±5%	18.10	18.11			
SECONDARY VOLTAGE FULL LOAD: DC 1500mA	12VDC±5%	12.32	12.33			
Hi-pot test	PRI.TO SEC-CORE	AC 1250V/1mA/50Hz/60Seconds	OK	OK		
	SEC.TO CORE	AC 500V/1mA/50Hz/60Seconds 交流 500V/1mA/50Hz/60 秒	OK	OK		

DRAWER	CHECKED	APPROVED	CUSTOMER
February 18, 2011			MODEL NO GPU481201500WDOO
			REV A
			DATE February 18, 2011
			PAGES 7/10



12.DC CORD DRAWING/DC:

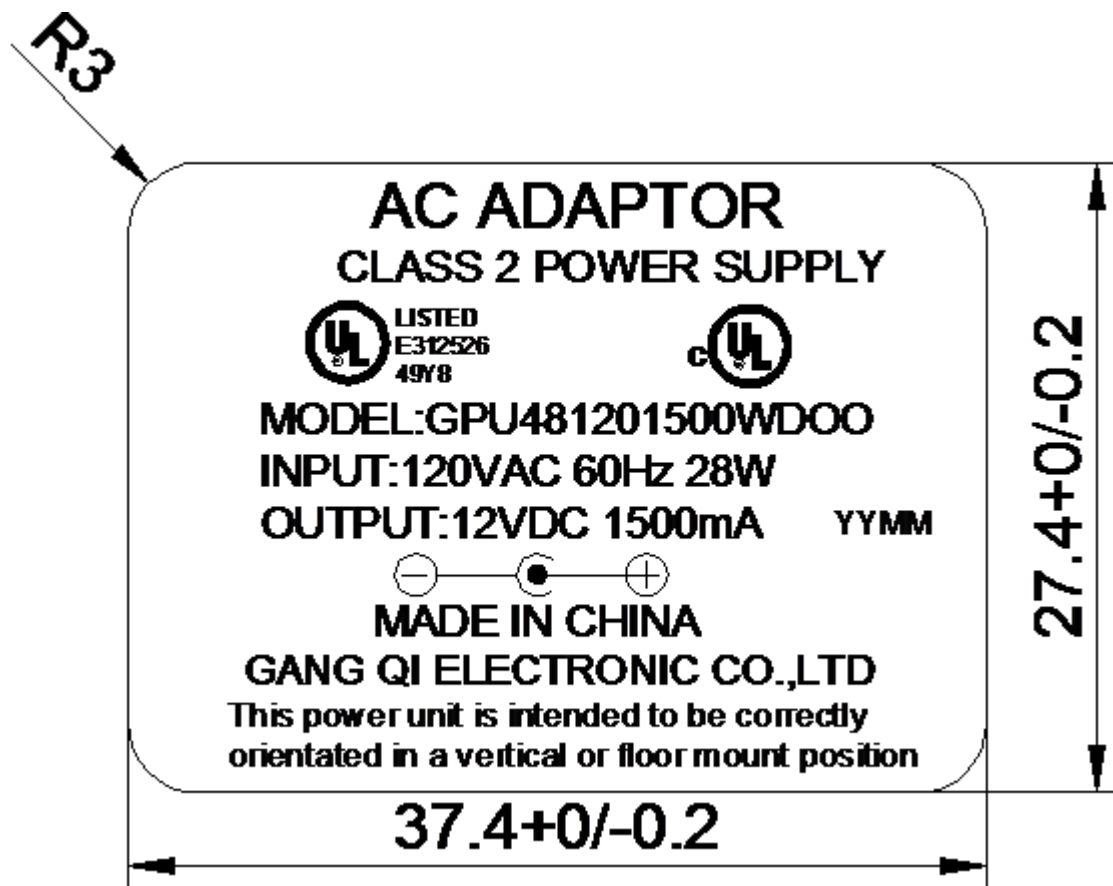
Unit: mm



DRAWER	CHECKED	APPROVED	CUSTOMER	
February 18, 2011			MODEL NO	GPU481201500WDOO
			REV	A
			DATE	February 18, 2011
			PAGES	8/10

13.NAMEPLATE DRAWING:

Unit: mm

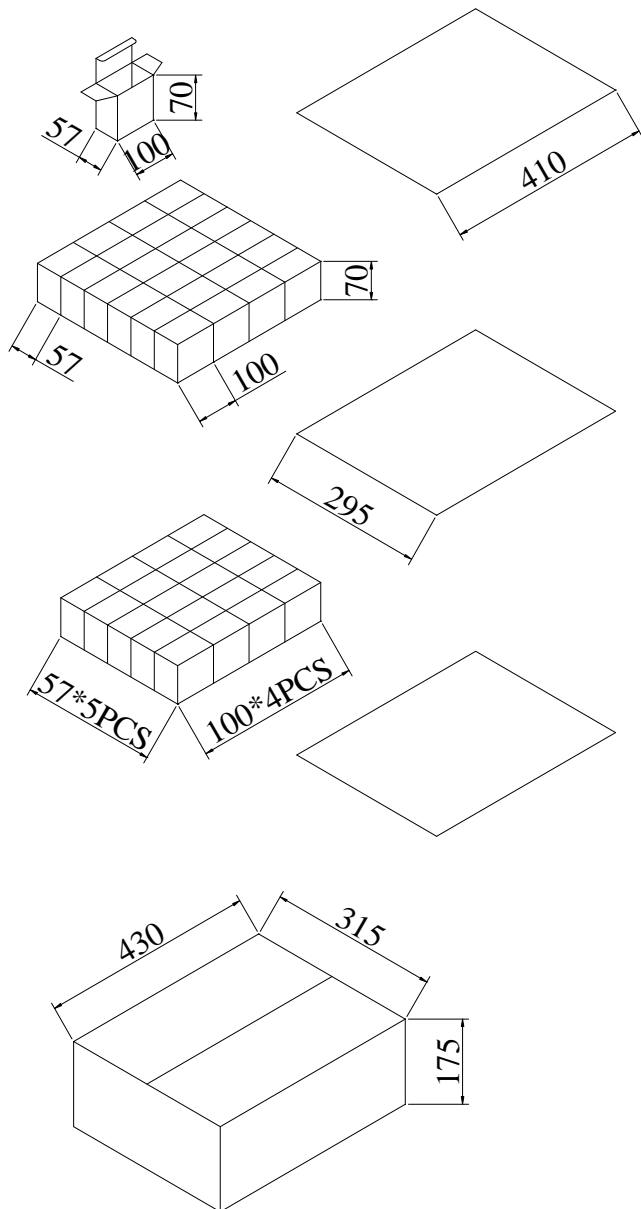


NOTE:

PET 0.27mm THICK MIN

DRAWER	CHECKED	APPROVED	CUSTOMER	
February 18, 2011			MODEL NO	GPU481201500WDOO
			REV	A
			DATE	February 18, 2011
			PAGES	9/10

14.PACKING



14-1:

OUT BOX SIZE:

L: 430mm W: 315mm H: 175mm

SO:	
PO	GPU481201500WDOO
DES	120VAC 60Hz 12VDC 1.5A
NUM	40 PCS
WEIGHT	21 KG
GROSS	22 KG
SIZE	420*310*190mm

14-2:

WHITE BOX SIZE:

L: 100mm W: 57mm H: 70mm

DRAWER	CHECKED	APPROVED	CUSTOMER	
February 18, 2011			MODEL NO	GPU481201500WDOO
			REV	A
			DATE	February 18, 2011
			PAGES	9/10