

Switching Power Supply Specifications

Table of contents

1. 描述: SCOPE	4
2. 输入特性: INPUT CHARACTERISTICS	4
3. 输出特性: OUTPUT CHARACTERISTICS	4-5
4. 保护功能: PROTECTION REQUIREMENT	5-6
5. 环境条件: ENVIRONMENTAL REQUIREMET	6-7
6. 安全及EMC要求: SAFETY AND EMC REQUIREMEN	7
7. 电路说明: CIRCUIT DESCRIPTION	7
8. 结构参数: MECHANICAL REQUIREMENT	8
9. 铭牌: NAME LATE	9
10. 包装方式: PACKGE	10-11
11. 测试报告: ELECTRICAL TEST REPORT	12

1. 描述 (SCOPE) :

此文件描述该型号开关电源适配器的电性、机械、环境、ROHS、安规等规格。

This document describes the switching Adapter's electrical, mechanical, environmental, RoHS, safe certificate, and so on.

2. 输入特性 (INPUT CHARACTERISTICS) :

2.1 输入电压与频率 (Input Voltage and Frequency) :

额定电压 Rated Voltage	电压调整范围 Variation Range	额定频率 Rated Frequency	频率调整范围 Variation Frequency
100-240Vac	90-264Vac	50/60Hz	47-63Hz

2.2 输入电流 (Input Current) :

当输入额定电压, 带满载时, 最大输入交流电流0.3A。

AC current 0.3A max At input rated voltage with output full load.

2.3 浪涌电流 (Inrush Current) :

当输出为额定负载, 环境温度为25°C, 输入240Vac冷态起机时的最大浪涌电流为30A。

In rated load, 25°C ambient temperature, Cold-state starting at 240Vac input, Inrush Current 30 Amps Max.

3. 输出特性 (OUTPUT CHARACTERISTICS) :

3.1 输出功率 (Power Output) :

电压 Voltage	最小负载 Min. Load	最大负载 Max. Load	输出功率 Output Power
6.0Vdc	0A	500mA	3W

3.2 负载特性/调整率 (Load character / Line Regulation) :

负载 (Load)	最小负载 (Min. Load)	最大负载 (Max. Load)
电流 (Current)	0A	500mA
电压 (Voltage)	6.0Vdc ± 5%	6.0Vdc ± 5%

3.3 空载待机功耗 (No load Standby Power) :

0.1W Max (115Vac)

3.4 纹波和噪音 (Ripple And Noise) :

测试条件: 额定电压及额定电流条件下, 使用示波器带宽为20MHZ连接到开关电源的输出端, 同时输出端并联一个47UF的电解电容和一个0.1UF的瓷片电容。

Under Rated voltage and nominal load, The ripple and noise are as follows when measure with Max. Bandwidth of 20MHz and Parallel 47uF/0.1uF, crossed connected at testing point.

电压(Voltage)	最大纹波最大噪音(Ripple And Noise(Max.))
6.0Vdc	300mVp-p

3.5 启动延迟时间 (Turn On Delay Time) :

当输入额定电压和输出最大负载时, 最大启动时间为3S.

Turn on time 3 second Max. At Rated Voltage input and output Max. Load.

3.6 上升时间 (Rise Time) :

当输入额定电压和输出最大负载时最大时间为100mS.

100mS Max. At Rated Voltage input and output Max. Load.

3.7 保持时间 (Hold Up Time) :

当输入额定电压和输出最大负载时, 最小保持时间为8mS.

8mS Min. At Rated Voltage input and output Max. Load.

3.8 效率 (Efficiency) :

当输入115Vac时, 4个负载 (25%、50%、75%、100%) 的平均效率最小为74.38%, 符合能源之星VI等级。

When input voltage 115V AC, the average efficiency of (25%. 50%. 75%. 100%) current at load shall be 74.38% Min. Meet CEC level VI.

3.9 过冲 (Overshoot) :

在电源开启或关闭的时候, 最大15%.

15% Max. When power supply at turn on or turn off.

4. 保护功能 (PROTECTION REQUIREMENT) :

4.1 短路电路保护 (Short Circuit Protection) :

该电源供给器在短路解除时, 能恢复正常工作。

The power supply will be auto recovered when short circuit faults remove.

4.2 过流保护 (Over current Protection) :

在115/230Vac电压输入时, 过流保护点为1.5A最大。

In the 115/230Vac input voltage, over current protection for 1.5A Max.

5. 环境要求 (ENVIRONMENTAL REQUIREMET) :

5.1 工作温度 (Operating Temperature) :

0°C to 40°C, Full load, Normal operation.

5.2 储藏温度 (Storage Temperature) :

-10°C to 70°C 带外壳 (With Case)

5.3 相对湿度 (Relative Humidity) :

5% (0°C) ~ 90% (35°C) RH, 72Hrs, Full load, Normal operating.

5.4 振动 (Vibration) :

5.4.1 测试标准: 国际电工电子委员会

Operating: IEC 721-3-3 3M3

5-9Hz, A=1.5mm

加速度 (9~200Hz, Acceleration 5m/s²)

5.4.2 运输 (Transportation) :

IEC 721-3-2 2M2

5-9Hz, A=3.5mm

9~200Hz, 加速度 Acceleration=5m/S²

200~500Hz, 加速度 Acceleration=15m/S²

5.4.3 轴向振动 (Axes, 10 cycles per axis).

在测试过程中不能出现永久性的损坏.

(No permanent damage may occur during testing.

在电源开启和关闭后, 样机能够恢复到最初条件.

The product has to restore to its original situation after power off/on.)

5.5 跌落试验 (Dropping) (Packed) :

高度1m (Height:1m) 六个面各跌落一次 (Each side dropping once, total 6 side.)

5.6可靠性 (RELIABILITY) :

根据“MIL-STD-HDBK-217”标准, 环境温度为25°C, 满载输出时产品寿命超过20,000小时.

According to the standard of MIL-STD-HDBK-217, when ambient temperature at 25°C, in full load, the life will more than 20,000 hours.

6. 安全及EMC要求 (SAFETY AND EMC REQUIREMEN)

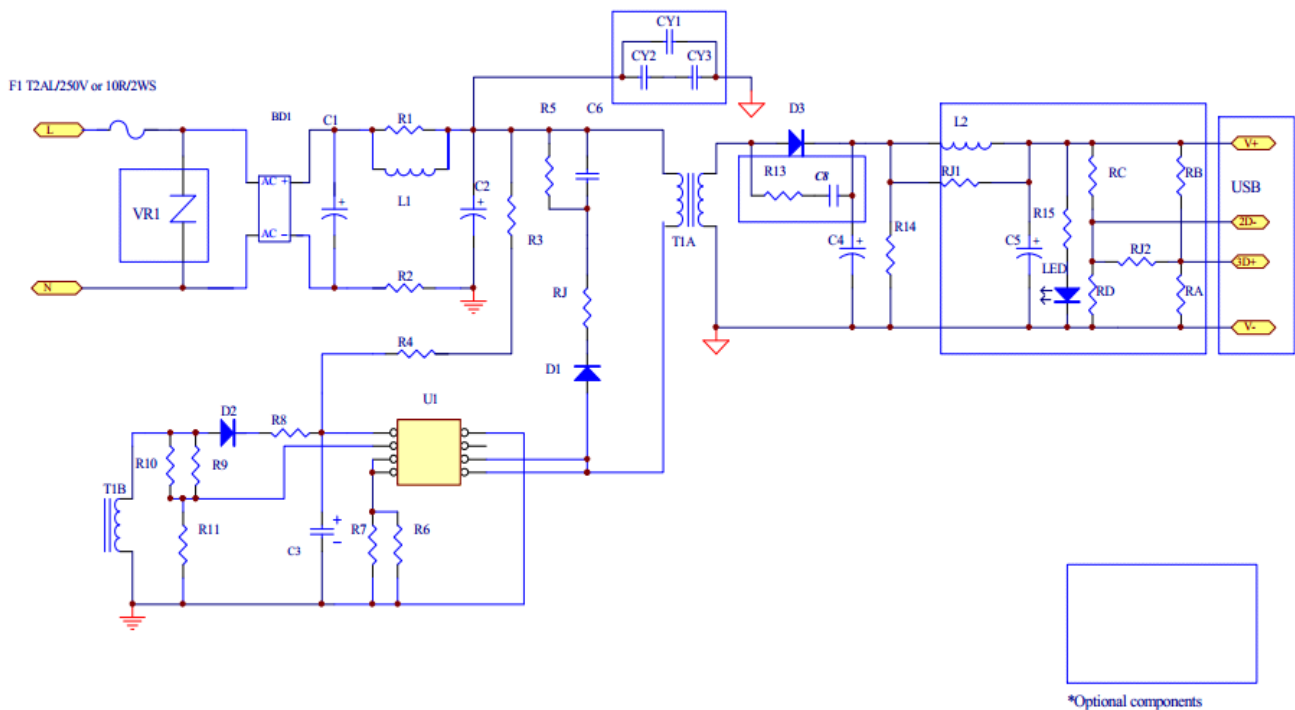
6.1安全(Safety):

认证 (Certified)	标准 (Standard)
FCC	Part15 Subpart B
UL/CUL	UL60065

6.2耐压(DIELECTRIC STRENGTH) (Hi-Pot):

初级对次级(Primary to secondary), 3750Vac/10mA/2s.

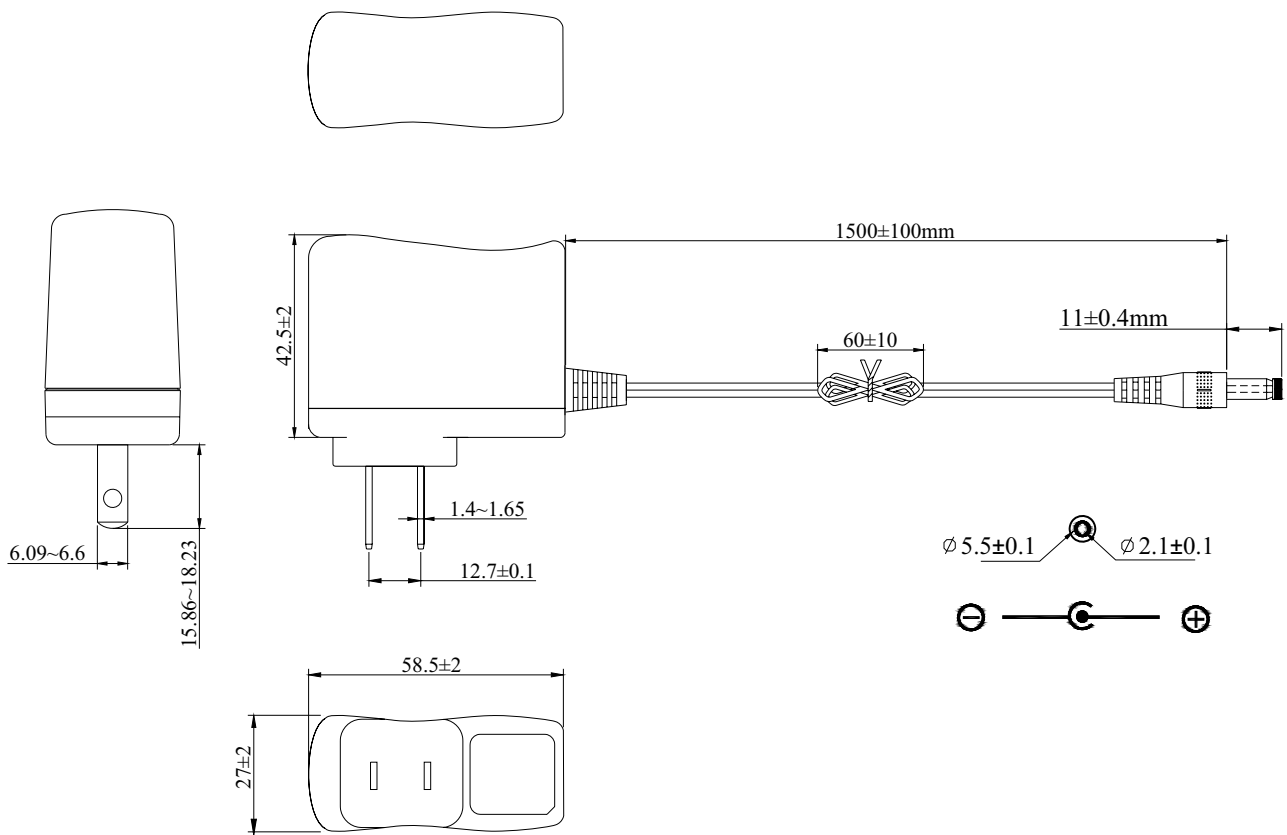
7. 电路说明 (CIRCUIT DESCRIPTION) :



8. 结构参数 (MECHANICAL REQUIREMENT) :

8.1外壳(Enclosure): BLACK (LEAD FREE) 外壳: 黑色

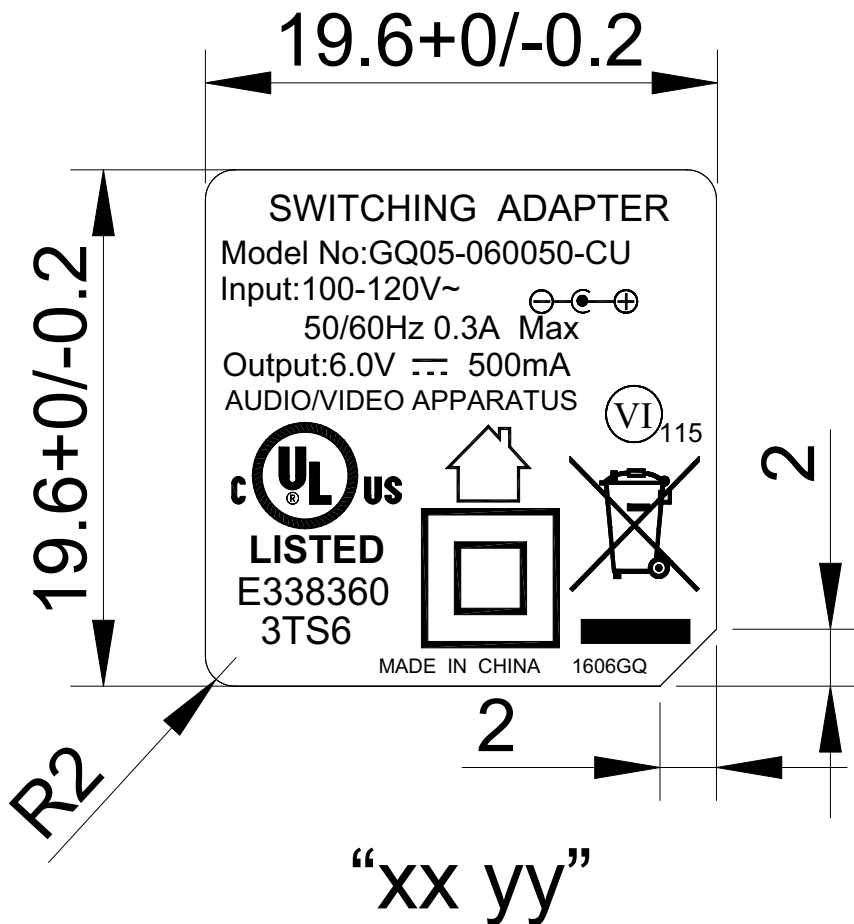
外壳尺寸(The power supply size): L:58.5*W:27*H:42.5mm



8.2. DC线规格 (DC CABLE SPEC) :

UL2468 24AWG 1.5M 黑色 (BLACK) .DC PLUG: $\phi 5.5 \times 2.1 \times 11/180^\circ$ 内正外负 音叉车沟

9. 铭牌 (NAME LABEL) :



年 月

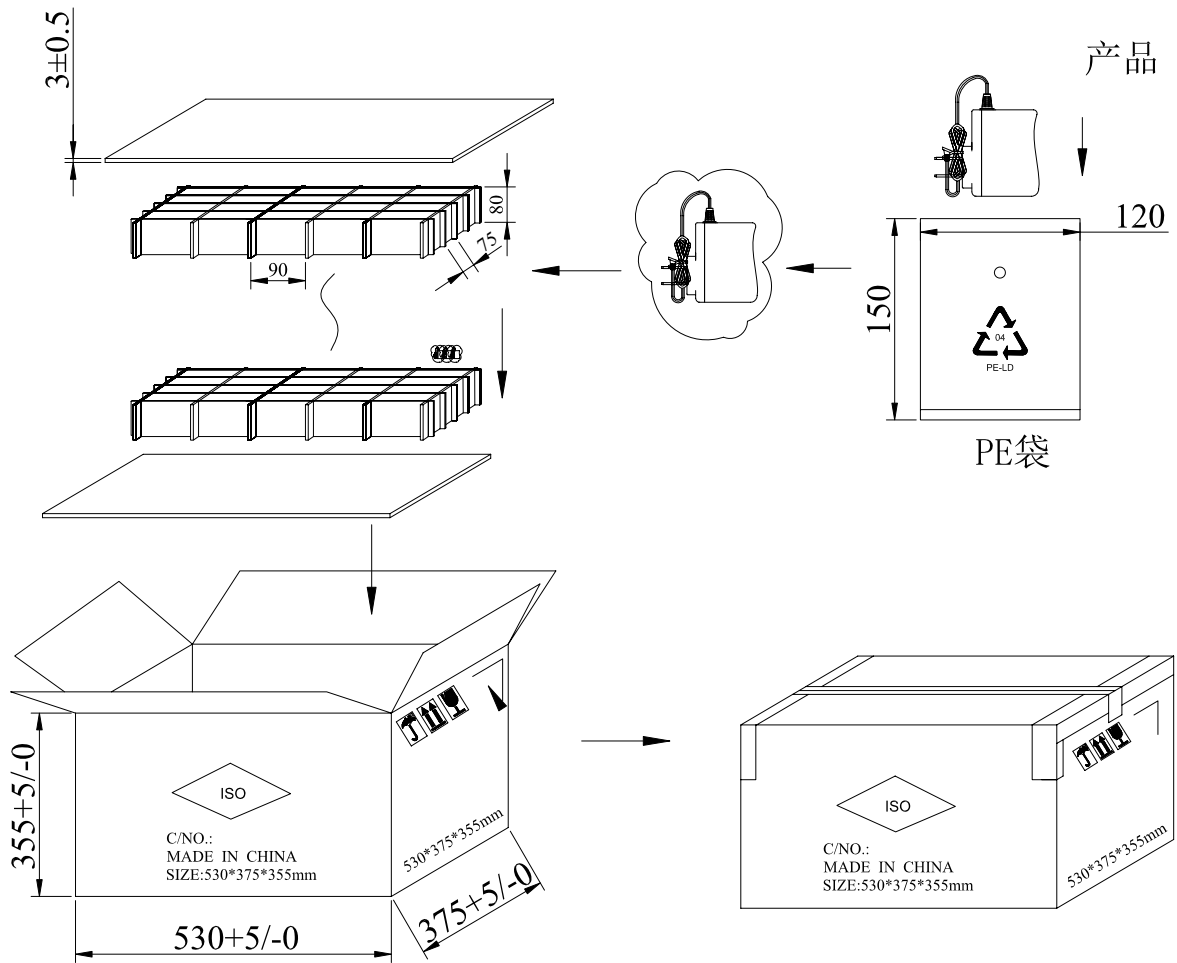
具体时间根据实际生产时间定义!

此内容镭雕于外壳
外框不用镭雕

10. 包装方式 (PACKGE) :

单机净重: 57.4g

(5*4)3*4layers,total=240PCS



正唛印刷内容为:

