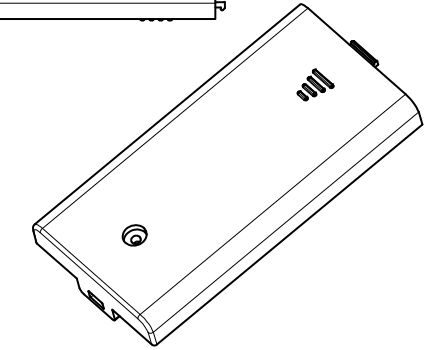
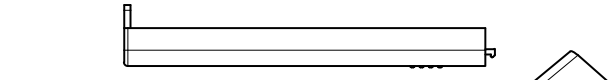
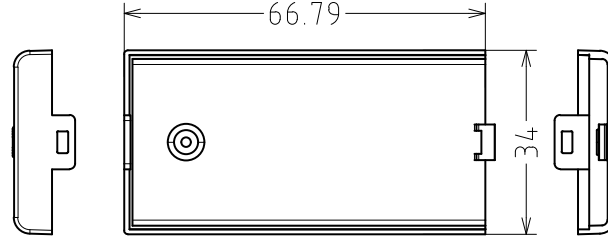
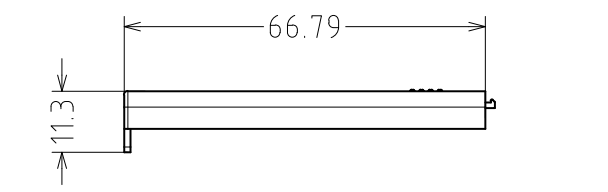
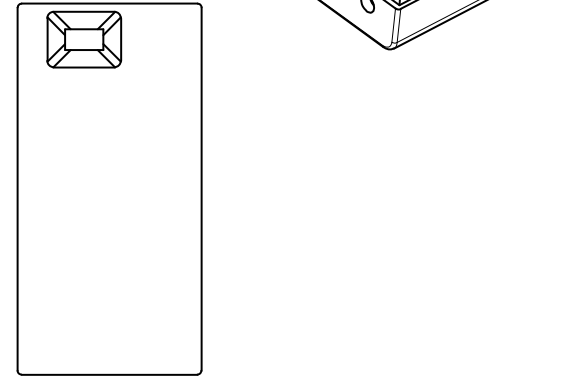
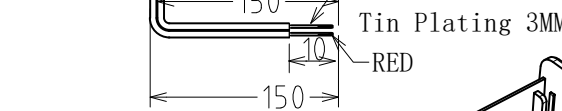
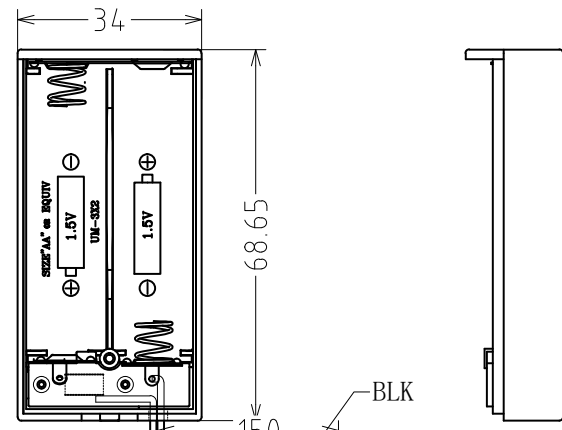
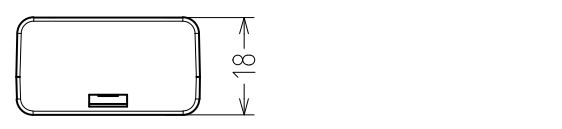


Rev.	Description	Date
01	Release for Production	06/27/2012



ALL DIMENSIONS TOLERANCE IS +/-0.02mm
UNLESS OTHERWISE SPECIFIED.

Drawn	L	05/05/2016	Kysan Electronics www.kysanelectronics.com info@kysanelectronics.com		
Checked					
Eng Appr.					
Mfg Appr.					
Q.A.					
SKU	9911112		Size : A4	Weight(Kg): 0.42	Unit: mm
			Scale: 2:1		Sheet 1of 1