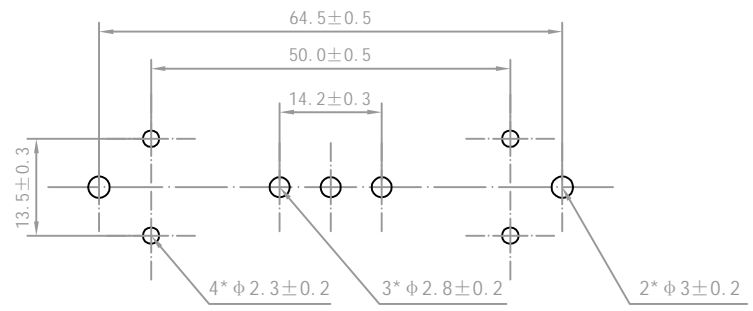
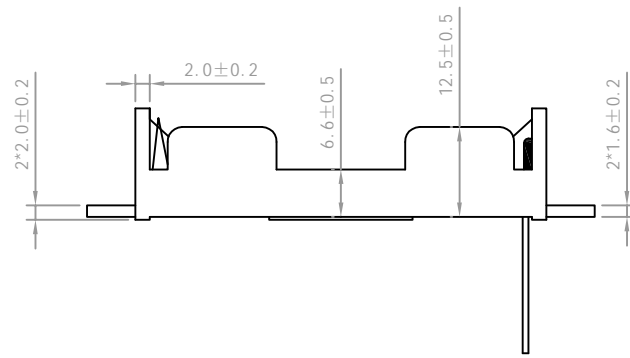
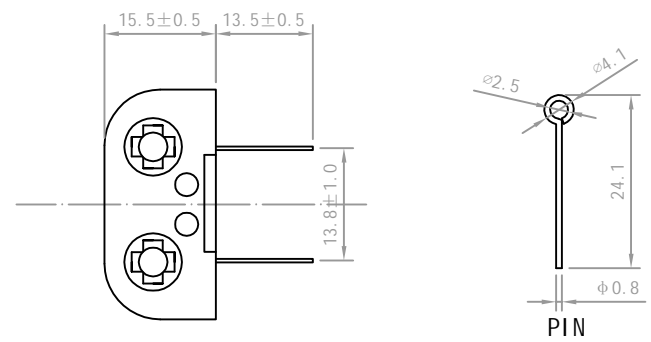
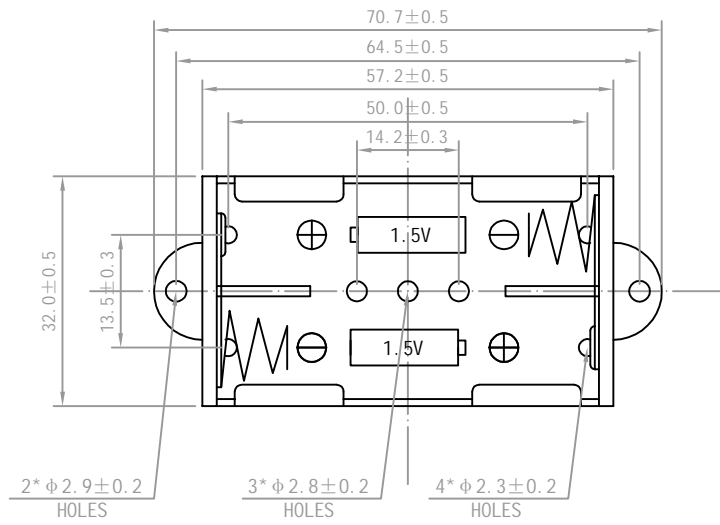


Rev.	Description	Date
01		



PCB/MOUNTING LAYOPUT

SPECIFICATION

1. ITEM NO. : BH-321-4P
2. WITH PIN: φ0.8*24mm, BRASS NICKEL PLATED.
3. HOLDER MATERIAL: PP UL94HB RESIN, BLACK COLOR.
4. SPRING MATERIAL: φ0.65MM SPRING STEEL NICKEL PLATED.
5. RIVET MATERIAL: BRASS NICKEL PLATED.
6. RoHS COMPLIANT.

Drawn	Bruce	03/15/2017	Unit: mm	
Checked	Eva	03/15/2017		
Eng Appr.			Kysan Electronics	
Mfg Appr.				
Q.A.				
SKU: 9911301			Size :A4	Weight(Kg):
			Scale 1:1	

