

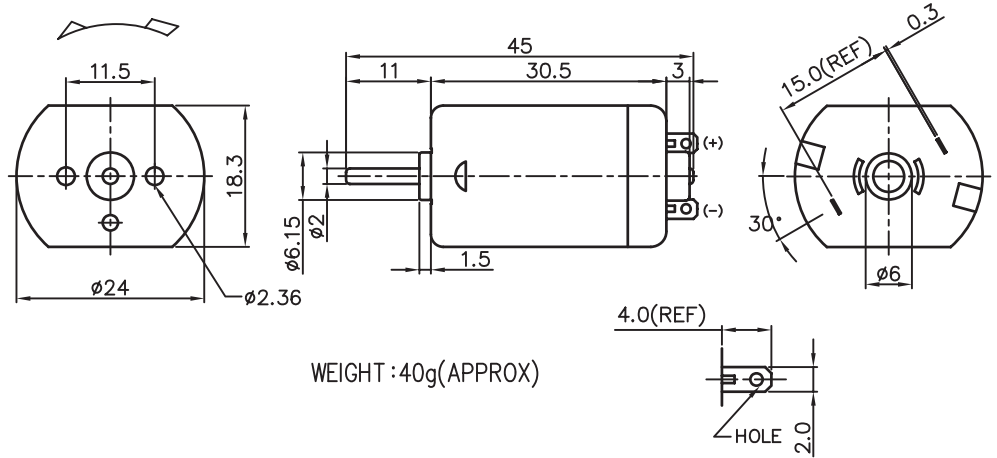
PC-280

POINT : Folding Outside Mirrors 、 Central Locks
Printer 、 Vending Machine

用途 : 後視鏡電動收折、中控鎖、印表機、自動販賣機



DIRECTION OF ROTATION



WEIGHT : 40g(APPROX)

MODEL	VOLTAGE		NO LOAD		AT MAXIMUM EFFICIENCY						STALL		
	OPERATING RANGE	NOMNAL	SPEED	CURRENT	SPEED	CURRENT	TORQUE	OUTPUT	EFF	CURRENT	TORQUE		
			rpm	A	rpm	A	g-cm	mN-m	W	%	A	g-cm	mN-m
PC-280-20125-N	3.0 - 9.0	6.0V CONSTANT	10800	0.18	8500	0.64	23	2.25	2.04	53	2.42	106	10.39
PC-280P-19160-N	6.0 - 12.0	12.0V CONSTANT	11500	0.13	8700	0.58	45	4.41	4.10	60	3.00	270	26.47
PC-280P-16200-N	6.0 - 18.0	12.0V CONSTANT	9100	0.10	7400	0.45	43	4.22	3.29	64	2.00	241	23.63
PC-280P-20150-N	6.0 - 12.0	12.0V CONSTANT	12300	0.12	10300	0.72	53	5.20	5.64	66	3.86	334	32.75

